



Description

JM P-channel MOSFET

Features

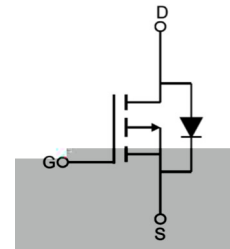
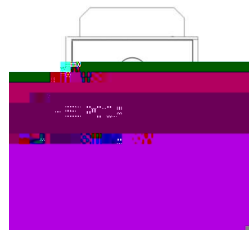
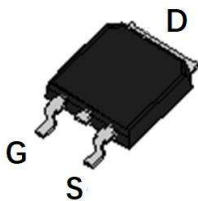
- J_{SG} 1.85W 1.85W
- F_{SG} 0.1A 4 J; g 1.85W J
- F_{SG} 0.1A 4 J; g 1.85W J
- < I \ DckYfUbX7i fYh k UbXh 7UdM]h
- @UX: fYDfX Vlg5W fYX
- G fLWAci hDUW]Y

Application

- DKA 5d]M]chg
- @UXGk]W



100% UIS TESTED
100% Vds TESTED



HC!& 88D5? Hcdj]k AUf]h UbXd]5gg] ba Yh GWYa U]M]U] fu

Package Marking and Ordering Information

Device Marking	Device	OUTLINE	Device Package	Reel Size	Reel (PCS)	Per Carton (PCS)
>AH) SD885	>AH) SD885	H5DB;	HC!&&	%]bW	8 88	8 888

Absolute Maximum Ratings H18 °C i bYgg'ch M]k]g]g]d]M]X

Symbol	Parameter	Max	Units
J _{SG}	8fUp]Gci fWJc]U]Y	!88	J
J; cc	; UEGci fWJc]U]Y	-%8	J
-8	7cb]hi ci g8fUp'7i fYh	H 1.8 °C	! * \$
		H 1.85 °C	! -
-8A	Di `gX8fUp'7i fYh]h	!8 \$	5
D ₈	DckYf8]gg]d]U]cb	H 1.8 °C	K
F >7	H Yfa UfYg]U]bWZ>i bM]cb]k 5a V]h	8%	°C #K
HZH _H	CdM]U]h UbXG]cf]U]YH]a dM]U]f]YU]h Y	!) 1e Z%)	°C



Electrical Characteristics @ 25°C

Symbol	Parameter	Test Condition	Min	Typ	Max	Units
Off Characteristics						
I_{BFBCC}	I_{BFBCC}	$J, G1S_{ZS}1!Q S 5'$!88'	!'	!'	J'
I_{BGC}	I_{BGC}	$J_{SG}1!88S_{ZJ}, G'1'S_{ZJ}$!'	!'	!%	5'
I_{BGG}	I_{BGG}	$J_{SG}1S_{ZJ}, G'1'-8J'$!'	!'	-88'	b5'
On Characteristics						
J, G_{HL}	J, G_{HL}	$J_{SG}1J, G'Z_{S}1!Q S 5'$!S(' !S!)'	!%8'		J'
F_{SGHL}	F_{SGHL}	$J, G'1!() J_{Z_{S}}1!%5'$!'	*!8'	,!)'	a .
		$J, G'1!8 J_{Z_{S}}1!%85'$!'	,'	%8'	
Dynamic Characteristics						
τ_{leg}	τ_{leg}	$J_{SG}1!%S_{ZJ}, G'1S_{ZJ}$ $ZI \%SA < n'$!'	() - S'	!'	d .
τ_{cgg}	τ_{cgg}		!') S'	!'	d .
τ_{fg}	τ_{fg}		!'	((S'	!'	d .
$E_{l'}$	$E_{l'}$	$J_{SG}1!%S_{Z_{S}}1!%5Z'$ $J, G'1!() J$!	(*'	!	b7'
E_{lg}	E_{lg}		!	+'''	!	b7'
E_{lx}	E_{lx}		!	%8'	!	b7'
Switching Characteristics						
t_{BHL}	t_{BHL}	$J_{SS}1!%S_{Z_{S}}1!%5Z'$ $F, g_{B}18+ Z'$ $J, G'1!%S_{J}'$!'	,'	!'	bg'
t_{B}	t_{B}		!') - .'	!'	bg'
t_{BZL}	t_{BZL}		!'	%88'	!'	bg'
t_{B}	t_{B}		!'	(' .'	!'	bg'
Drain/Source Diode Characteristics and Maximum Ratings						
τ_{G}	τ_{G}		!'	!'	!*8'	5'
τ_{GA}	τ_{GA}		!'	!'	!88'	5'
J_{GS}	J_{GS}	$J, G'1'S_{Z_{G}}1!885'$!'	!'	!%8'	J'
H_{F}	H_{F}	$H18^{\circ}C Z_{SS}1!%5Z'$ $J, G'1S_{J}'$ $X_{ZM}1!%85\#g'$!'	%'	!'	bg'
E_{FF}	E_{FF}		!'	+!4'	!	b7'

$I_{BFBCC} = I_{BGC} + I_{BGG}$
 $I_{BGC} = I_{BFBCC} - I_{BGG}$
 $I_{BGG} = I_{BFBCC} - I_{BGC}$
 $I_{BFBCC} = I_{BGC} + I_{BGG}$
 $I_{BGC} = I_{BFBCC} - I_{BGG}$
 $I_{BGG} = I_{BFBCC} - I_{BGC}$



Typical Performance Characteristics

Figure 1: Typical Performance Characteristics

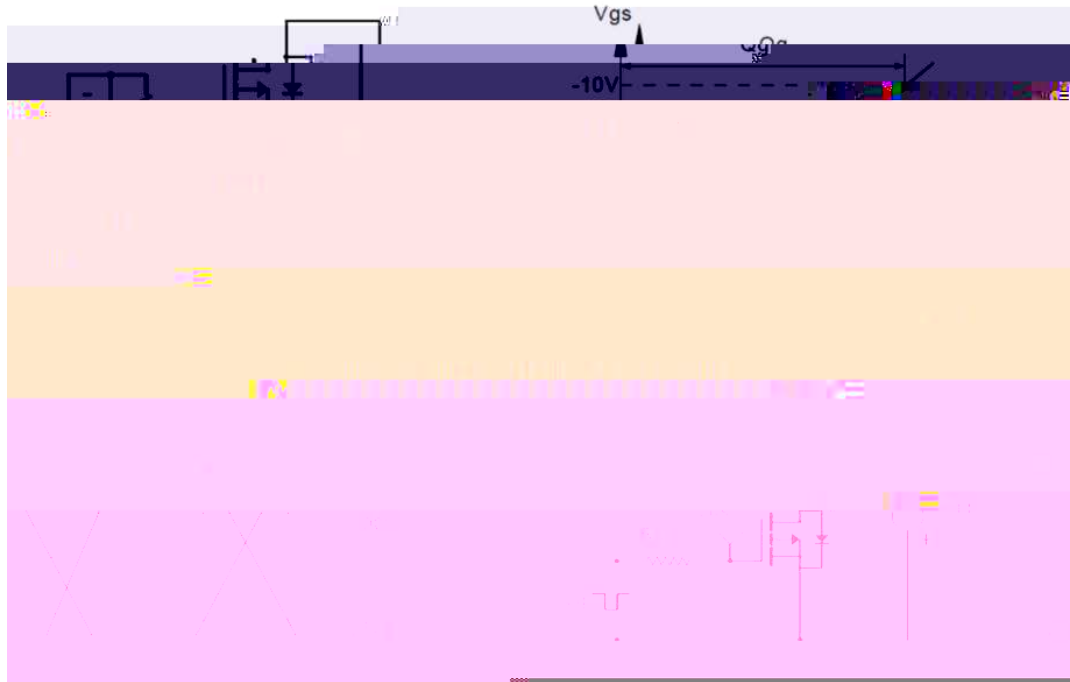
1) J

!JscfLL

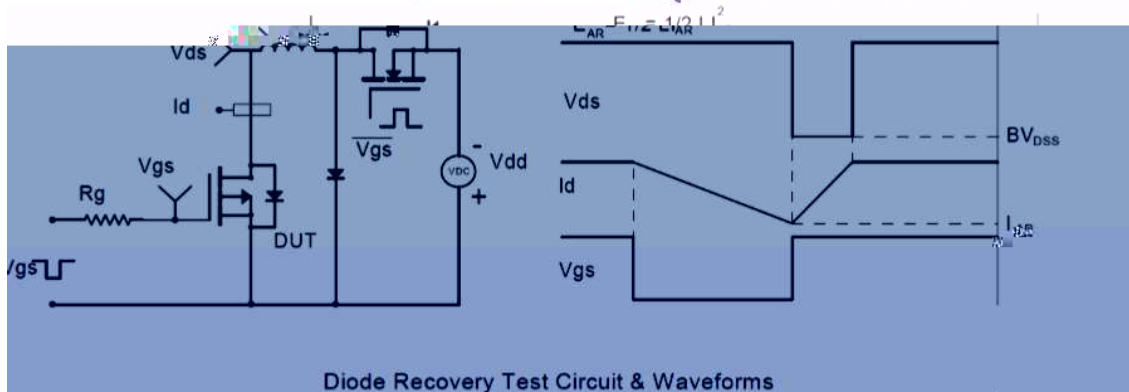
\$



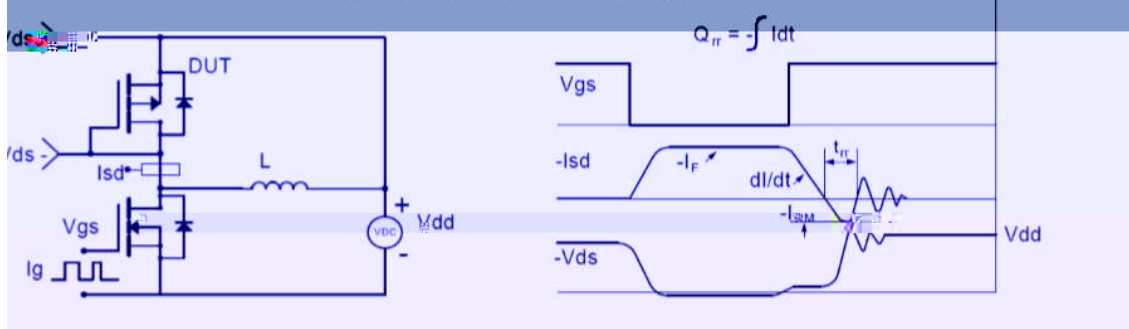
Gate Charge Test Circuit & Waveform



Unclamped Inductive Switching (UIS) Test Circuit & Waveforms



Diode Recovery Test Circuit & Waveforms



Package Mechanical Data

