



JOC306XM4 Series

Rev.A.1.0

DESCRIPTION:

The JOC306XM4 series combine an AlGaAs infrared emitting diode as the emitter which is optically coupled to a monolithic silicon zero-crossing photo triac in a plastic SOP4 package. With the robust coplanar double mold structure, JOC306XM4 series provide the most stable isolation feature. The products are widely used in solenoid/value controls, lighting controls, motor controls, temperature controls, static AC power switches, solid state relays, interfacing microprocessors up to 265 V_{AC} peripherals.

MAIN FEATURES

High isolation 3750 VRMS

DC input with zero-crossing photo triac output

Operating temperature range -55 - Z U -

REACH compliance

Halogen free

MSL class 1

HBM: H3A ; MM: M4

CQC approved

VDE approved

UL approved

Zero-Crossing Characteristics	Inhibit Voltage	V_{IH}	$I_F=Rated\ I_{FT}$	-	-	20	V
	Leakage in Inhibited State	I_{OFF2}	$I_F=Rated\ I_{FT}$ $V_{OFF}=Rated\ V_{OFF}$	-	-	5	mA

NOTE3 Test voltage must be applied within dV/dt ratings.

NOTE4 Refer 784 Tm8 (OF)-60 (i)-60 gi.

FIG.7: Normalized On-state Terminal Voltage vs. Ambient Temperature

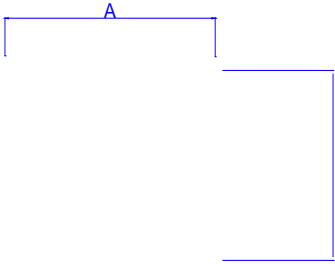


FIG.8: On-state Terminal Voltage vs. On-state Terminal Current

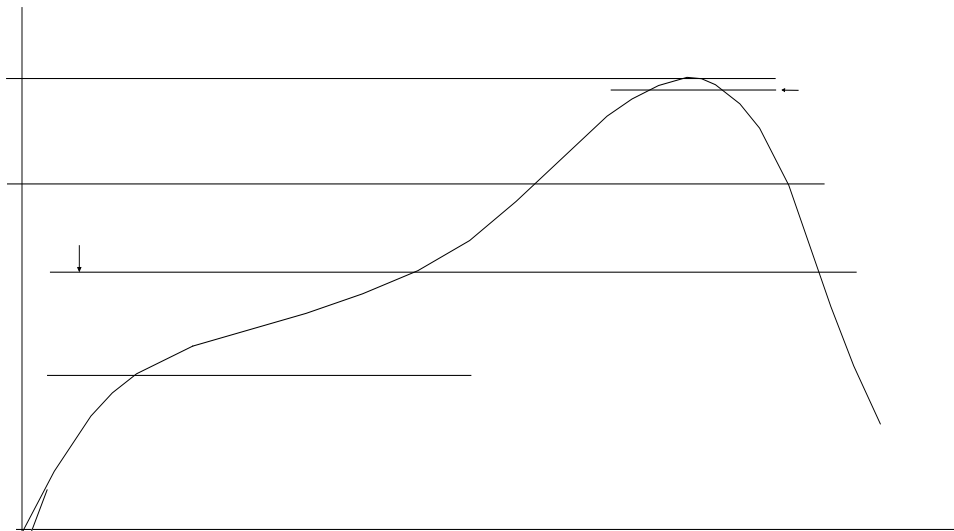
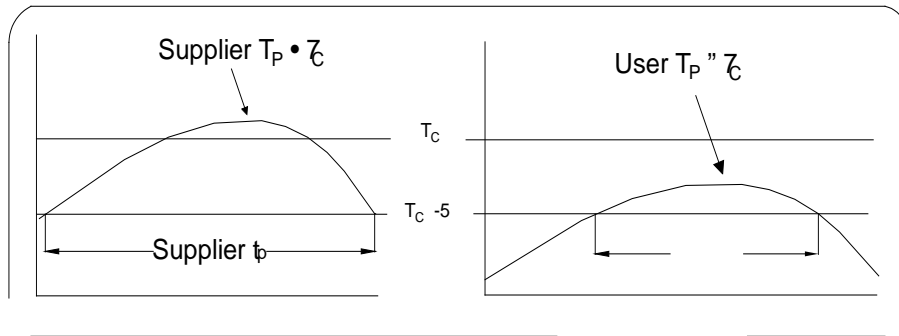
4: Test Circuits of dV/dt

Fig.1

Package Dimension (Unit: mm)



REFLOW INFORMATION



Information furnished in this document is believed to be accurate and reliable. However,