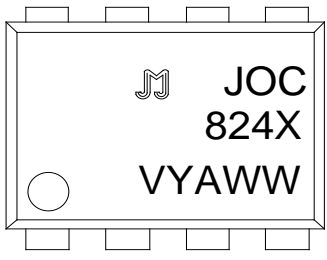




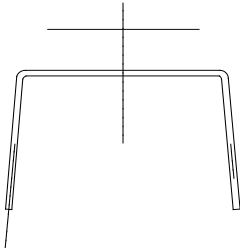
Doc ID: JOC824X Series Description

ORDERING AND MARKING INFORMATION

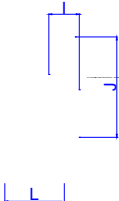
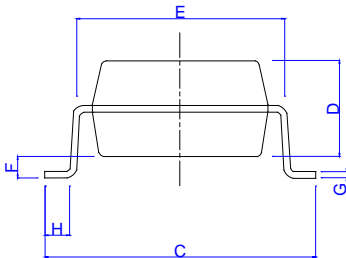
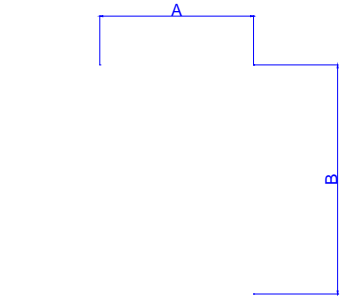
MARKING INFORMATION			
		<p>JOC : Company Abbr. 824 : Part Number X : CTR Rank VYAWW: LOT NO.</p>	
ORDERING INFORMATION			
JOC824X(Y)(Z)-GV			
<p>JOC – Company Abbr. 824– Part Number X – Rank (A/B/None) Y– Lead Form Option (M/S/SL/None) Z – Tape and Reel Option (T1/T2) G – Green V – VDE Option (V or None)</p>			
Packing Quantity			
Option	Quantity	Quantity – Inner box	Quantity –Outer box
None/M	45 Units/Tube	32 Tubes/Inner box	10 Inner box/Outer box =14.4k Units
S(T1/T2)	1000 Units/Reel	3 Reels/Inner box	5 Inner box/Outer box =15k Units
SL(T1/T2)	1000 Units/Reel	3 Reels/Inner box	5 Inner box/Outer box =15k Units

Package Dimension (Unit: mm)

Standard DIP Type:

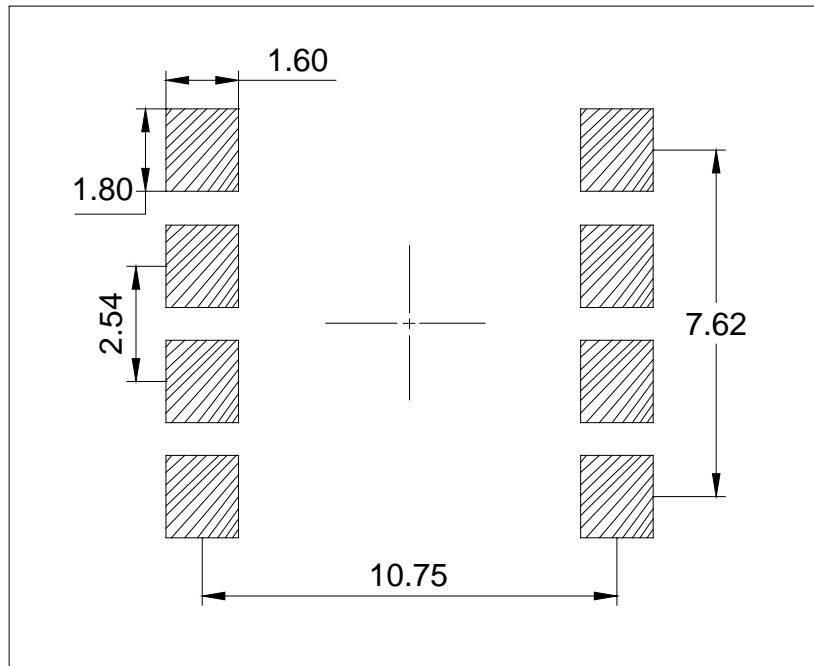


Option S Type:

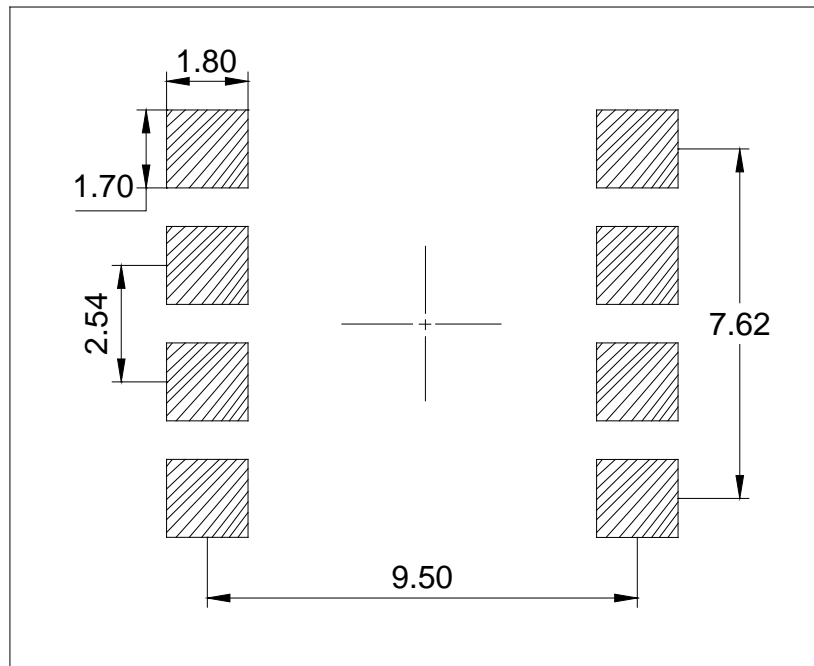


RECOMMENDED SOLDER MASK (Dimensions in mm unless otherwise stated)

Option S

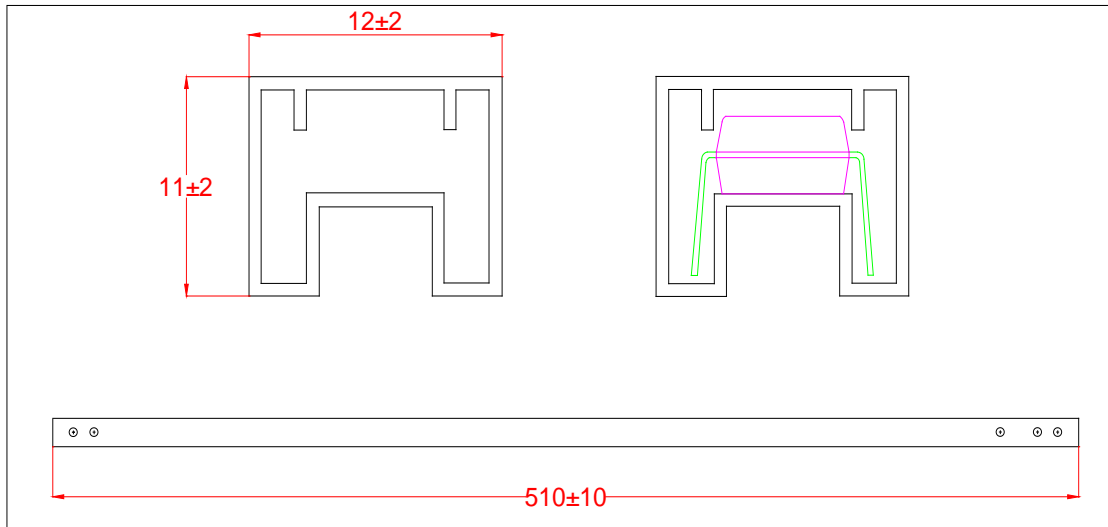


Option SL

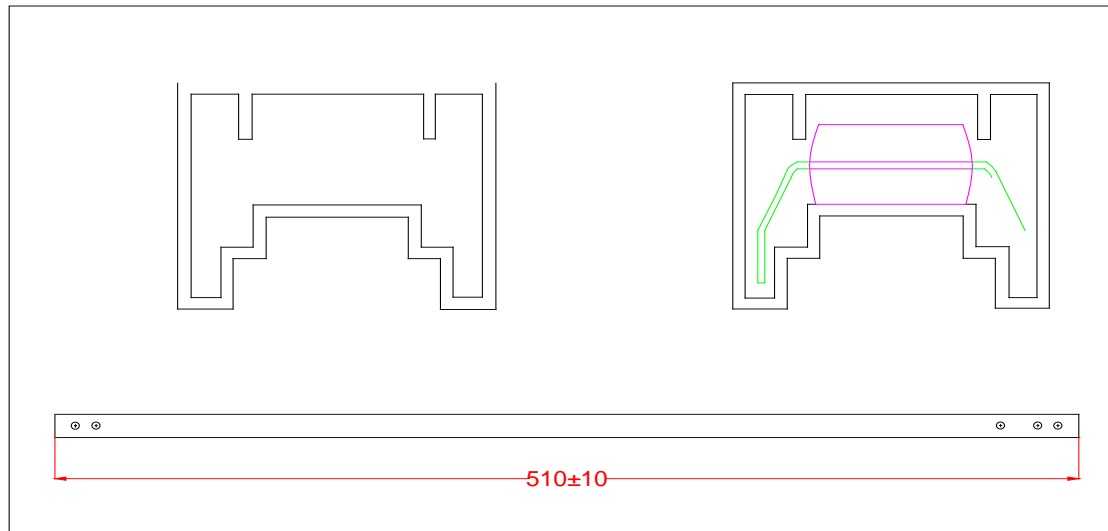


TUBE SPECIFICATIONS (Dimensions in mm unless otherwise stated)

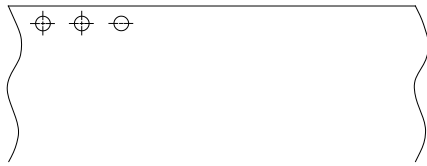
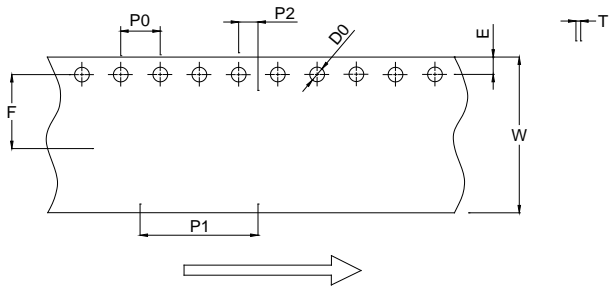
Standard DIP



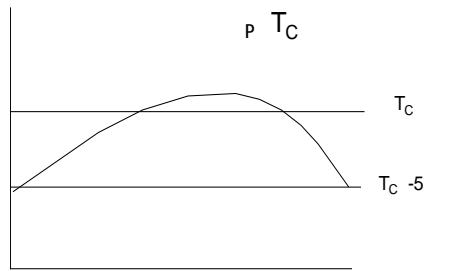
Option M



CARRIER TAPE SPECIFICATIONS (Dimensions in mm unless otherwise stated)



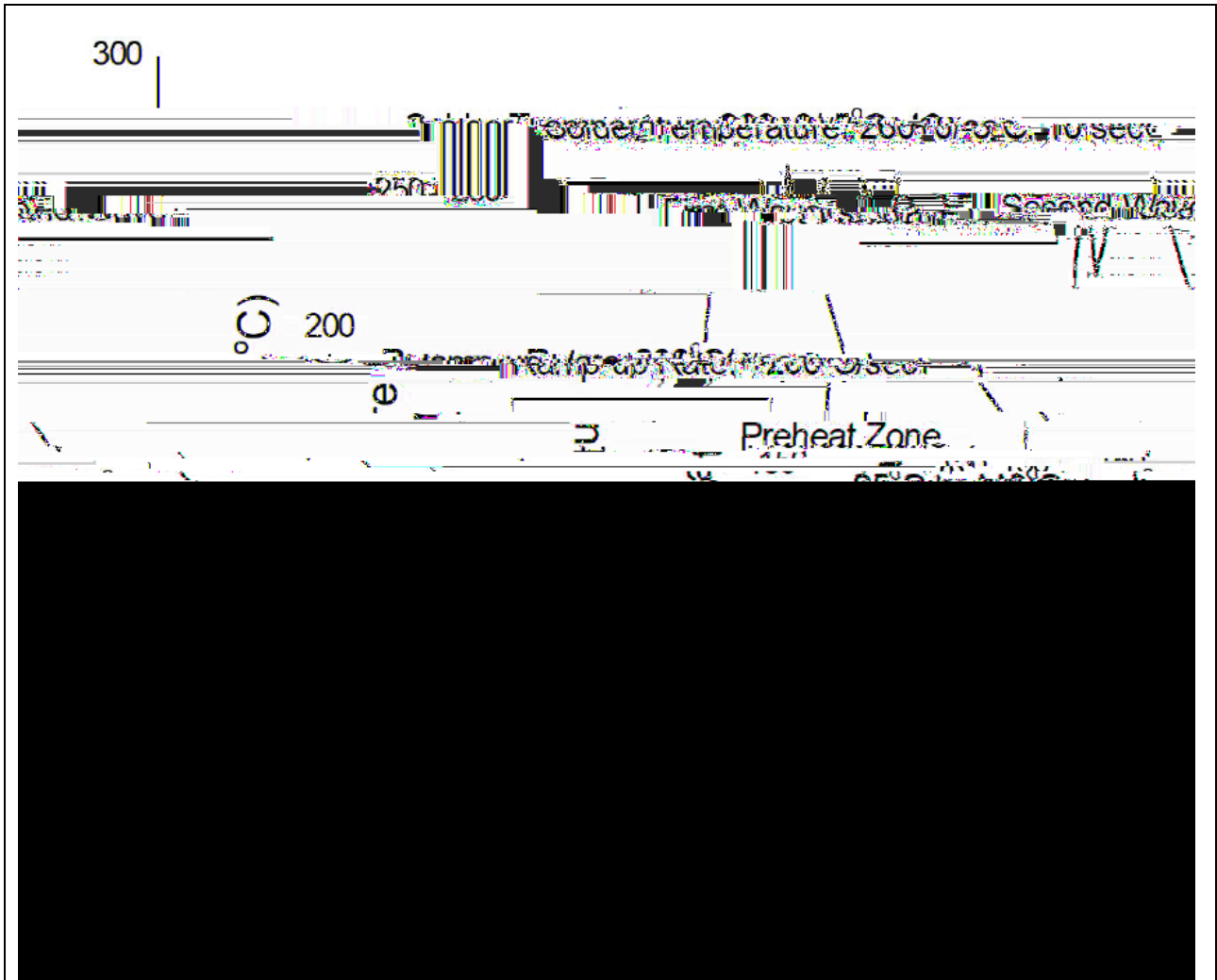
REFLOW INFORMATION



User T_p T_c



WAVE SOLDERING



HAND SOLDERING BY SOLDERING IRON

Soldering Temperature	360 ± 5
Soldering Time	3s max.

