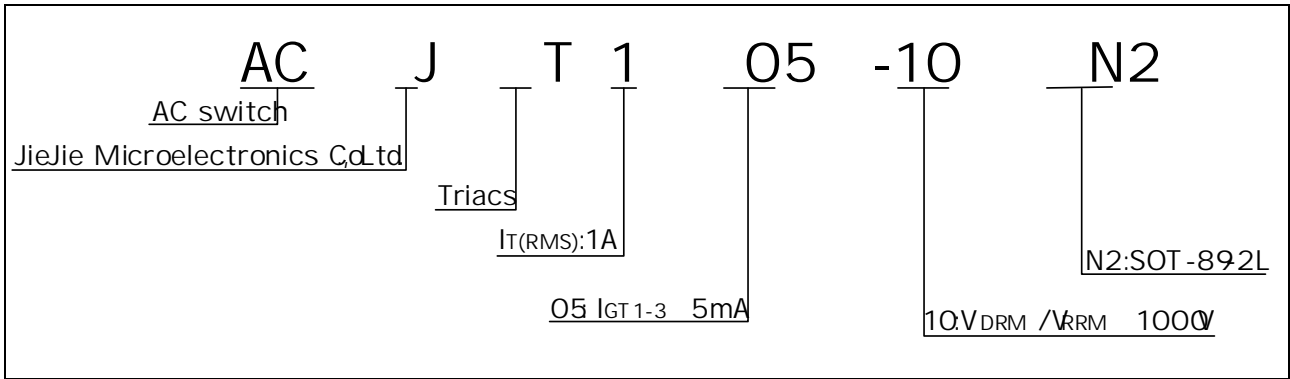


Peak pulse voltage

ORDERING INFORMATION



MARKING

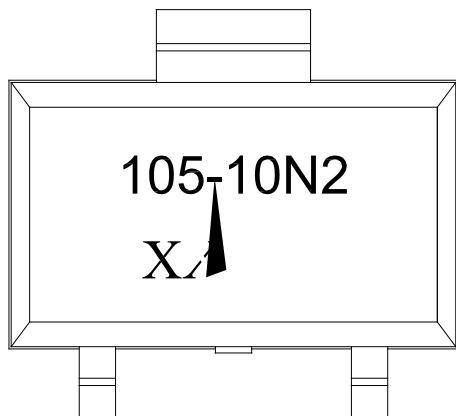


FIG.1 : Maximum power dissipation versus RMS on-state current

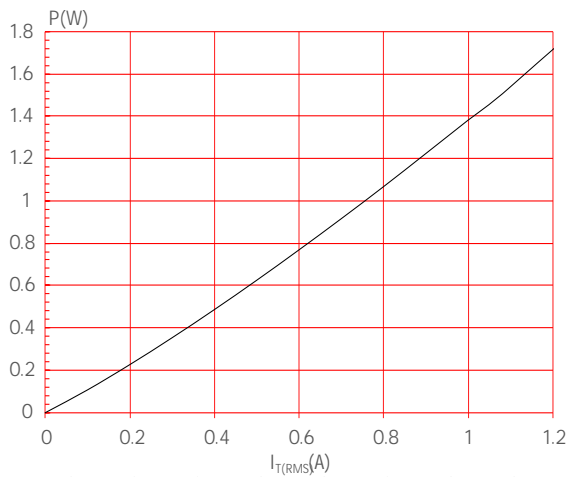


FIG.2: RMS on-state current versus case temperature

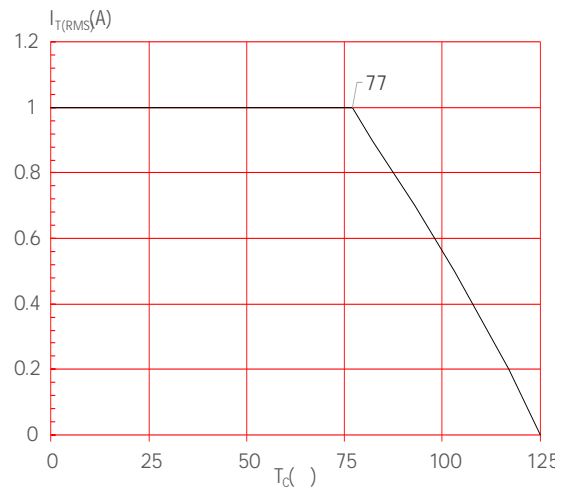


FIG.3: RMS on-state current versus ambient temperature (printed circuit board FR4, copper W K L F N Q H V V P I X O O F \ F O H

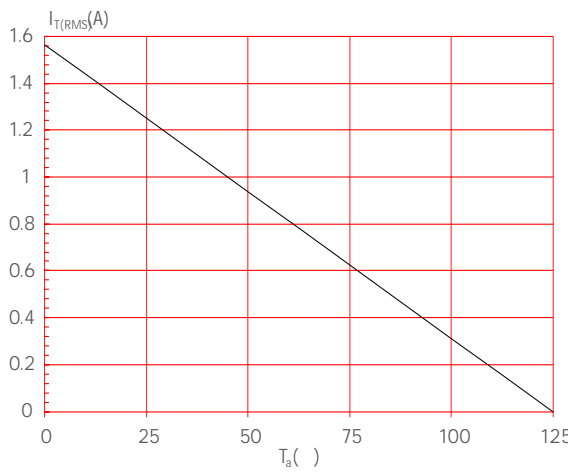
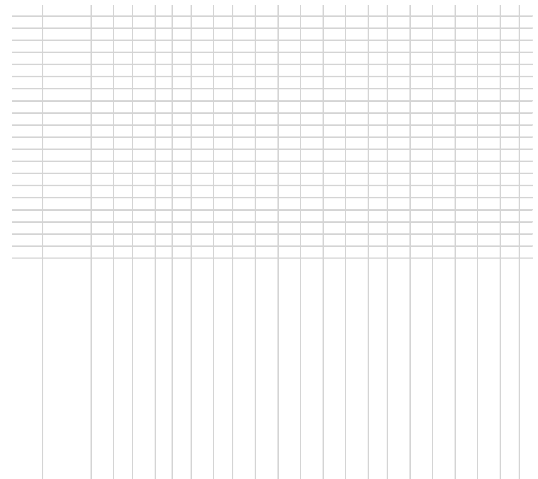


FIG.4: Surge peak onstate current versus number of cycles



ORDERING INFORMATION

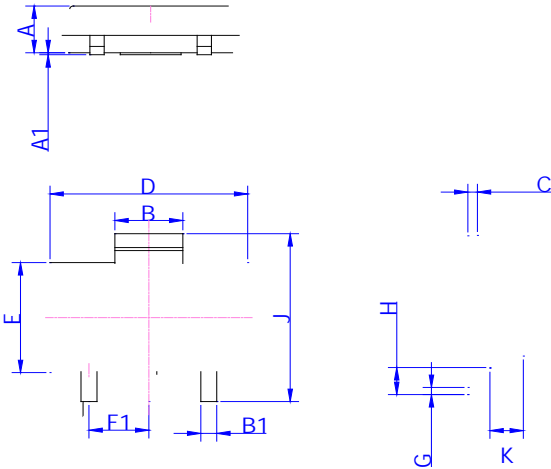
Order code	Voltage V_{DRM}/V_{RRM} (V)	IGT (mA)	Package	Base qty. (pcs)	Delivery mode
ACJT105-10N2	1000	5	SOT-892L	4,000	Tape & Reel

Document Revision History

Date	Revision	Changes
------	----------	---------

Apr.

PACKAGE MECHANICAL DATA



DELIVERY MODE

icrh&O Td [.3(J38Oc.31.8 O)13ME.105(N2)]TJ c.35(yTd4(r

