

P_{GM}	$T_j=125$)	P_{GM}	0.5	W
P_{GM}		P_{GM}	10	W
V_p	($T_j=25$; $\rho = 10^{-6}$ -FIG.7)	V_p	3.5	V

ELECTRICAL CHARACTERISTICS $T_j=25$ °C

Symbol	Test Condition	Quadrant	Value		Unit
I_{GT}	$V_D = 12V$ $L = 33$	- -	MAX .	25	A
V_{GT}		- -	MAX .	1	V

V_{GD}

ORDERING INFORMATION

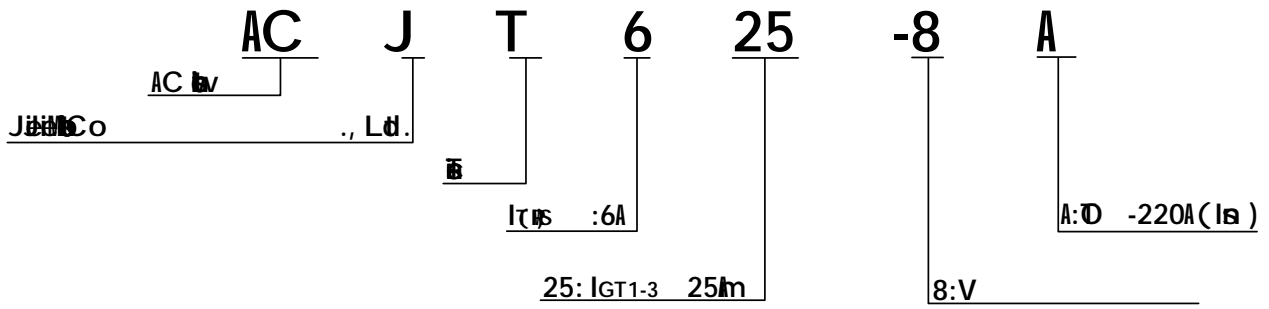


FIG.1: ~~Micrograph~~

~~0 10~~

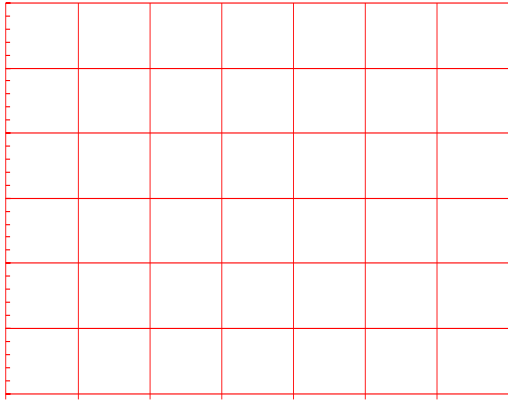


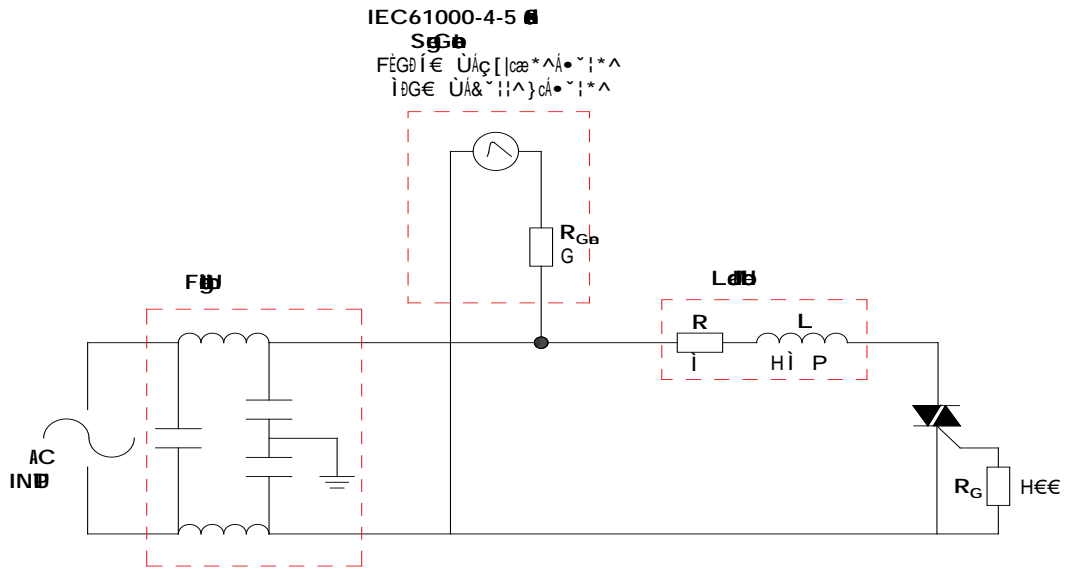
FIG.2: ~~Micrograph~~

~~0 10~~

~~0 10~~

FIG.7

-61000-4-5



ORDERING INFORMATION

Order code	Voltage V_{DRM}/V_{RRM} (V)	IGT(mA)	Package	Base qty. (pcs)	Delivery mode
ACJT625-8A	800	25	TO-220A(Ins)	50	Tube

Document Revision History

Date	Version	Change
Apr. 14, 2023	A. 1.0	Initial
03, 2025	A. 1.1	Revised PACKAGE MECHANICAL DATA

PACKAGE MECHANICAL DATA

