

JIEJIE MICROELECTRONICS CO., LTD.

TEL

Average gate power dissipation ($T_j=125$)	$P_{G(AV)}$	1	W
Peak gate power	P_{GM}	10	W
Peak pulse voltage ($T_j=25$; non-repetitive, off-state; FIG.8)	V_{pp}	0.7	kV

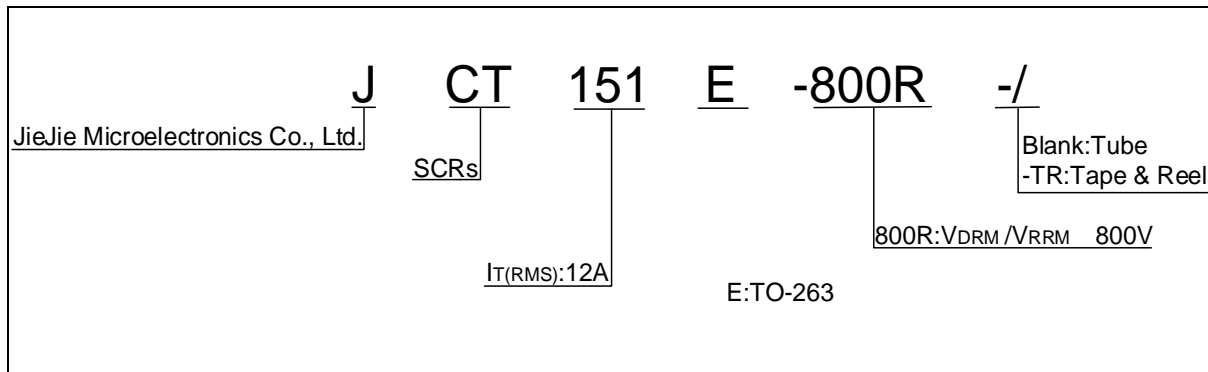
ELECTRICAL CHARACTERISTICS ($T_j=25$ unless otherwise specified)

Symbol	Test Condition	Value			Unit
		MIN.	TYP.	MAX.	
I_{GT}	$V_D=12V$ $R_L=33$	-	-	15	mA
V_{GT}		-	-	1	V
V_{GD}	$V_D=V_{DRM}$ $T_j=125$ $R_L=3.3k$	0.2	-	-	V
I_L	$I_G=1.2I_{GT}$	-	-	40	mA
I_H	$I_T=100mA$	-	-	30	mA
dV/dt	$V_D=540V$ Gate Open $T_j=125$	500	-	-	V s
t_{on}	$I_G=20mA$ $I_A=200mA$ $I_R=20mA$ $T_j=25$	-	3	-	s
t_{off}		-	50	-	

STATIC CHARACTERISTICS

Symbol	Parameter	Value(MAX.)	Unit
V_{TM}	$I_{TM}=23A$ $t_p=380$ s	1.6	V
V_{TO}	T		

ORDERING INFORMATION



MARKING

JCT151E-800R

JieJie M

FIG.7: Relative variations of gate trigger current, holding current and latching current versus junction temperature

$I_{GT} = B430.345 \cdot \exp(-T/TT4) \cdot T^1$ $T_f = -0.033$ $T_c = 0.033$ $T_w = 5.8396$ $0 / 0$ 6.6355 272.60 $C2_157$

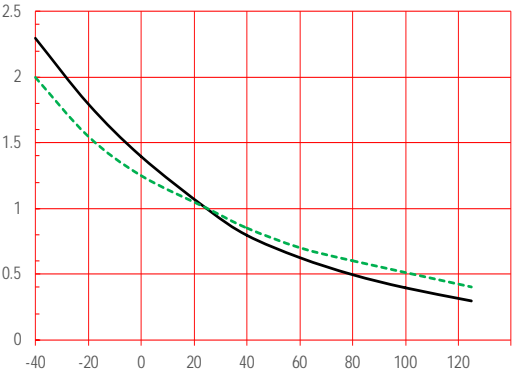
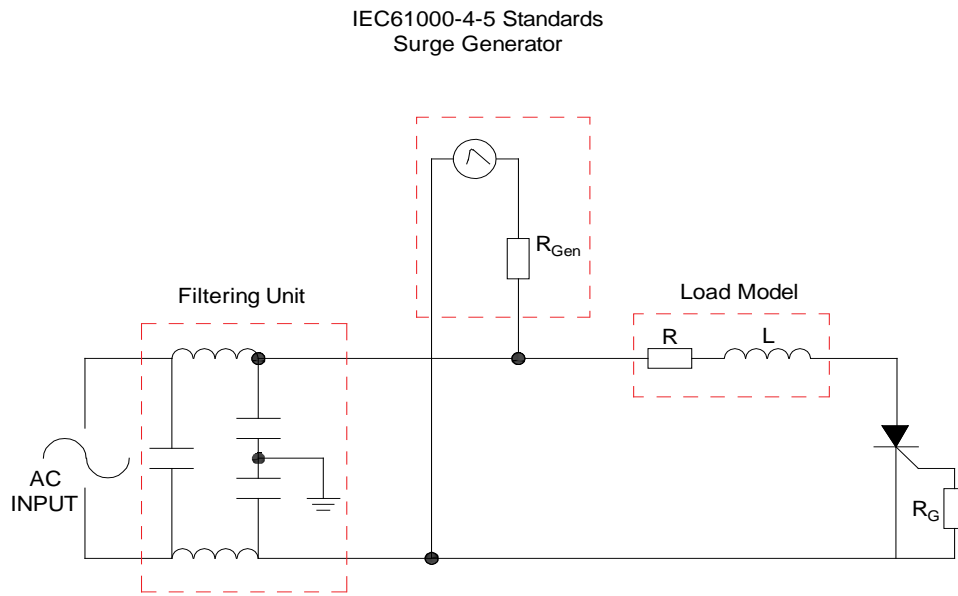


FIG.8 Test circuit for inductive and resistive loads to IEC-61000-4-5 standards.



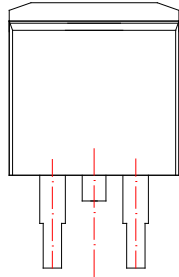
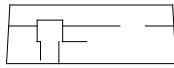
ORDERING INFORMATION

Order code	Voltage V_{DRM}/V_{RRM} (V)	IGT(mA)	Package	Base qty. (pcs)	Delivery mode
JCT151E-800R	800	15	TO-263	50	Tube
JCT151E-800R-TR				800	Tape & Reel

Document Revision History

Date	Revision	Changes
Apr.12, 2023	A.1.0	Last update
Oct.16, 2025	A.1.1	Revise PACKAGE MECHANICAL DATA

PACKAGE MECHANICAL DATA



Ref.	Dimensions					
	Millimeters			Inches		
	Min.	Typ.	Max.	Min.	Typ.	Max.
A	9.90		10.20	0.390		0.402
B	14.70		15.80	0.579		0.622
C	9.40		9.60	0.370		0.378
D	2.40			0.094		
E	1.20		1.50	0.047		0.059
F	0.75		0.85	0.029		0.033

DELIVERY MODE

