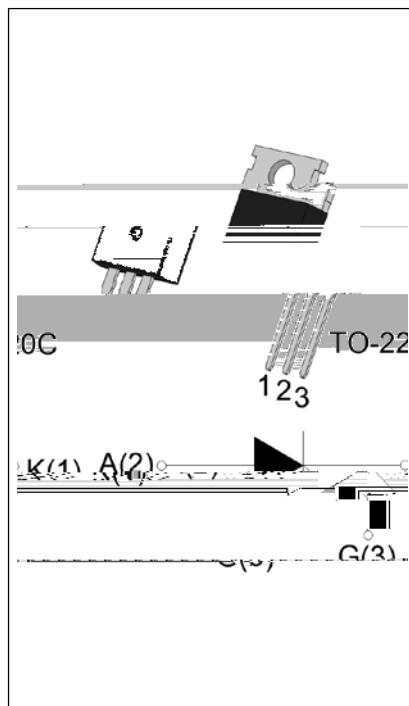




### DESCRIPTION:

With high ability to withstand the shock loading of large current, JCT1630C SCR provides high  $dV/dt$  rate with strong resistance to electromagnetic interference. It is especially recommended for use on solid state relay, motorcycle, power charger, T-tools etc. Package TO-220C is RoHS compliant.



### MAIN FEATURES

Symbol	Value	Unit
$I_{T(RMS)}$	30	A
$V_{DRM}/V_{RRM}$	1600	V
$I_{GT}$	40	mA

### ABSOLUTE MAXIMUM RATINGS

Parameter	Symbol	Value	Unit
Storage junction temperature range	$T_{stg}$	-40-150	
Operating junction temperature range	$T_j$	-40-125	
Repetitive peak off-state voltage ( $T_j=25^\circ C$ )	$V_{DRM}$	1600	V
Repetitive peak reverse voltage ( $T_j=25^\circ C$ )	$V_{RRM}$	1600	V
Average on-state current ( $T_C=86^\circ C$ )	$I_{T(AV)}$	19	A
RMS on-state current ( $T_C=86^\circ C$ )	$I_{T(RMS)}$	30	A
Non repetitive surge peak on-state current ( $t_p=10ms, T_j=25^\circ C$ )	$I_{TSM}$	300	A
Non repetitive surge peak on-state current ( $t_p=8.3ms, T_j=25^\circ C$ )		320	
$I^2t$ value for fusing ( $t_p=10ms, T_j=25^\circ C$ )	$I^2t$	450	$A^2s$
Critical rate of rise of on-state current ( $I_G=2 I_{GT}, f=100Hz, T_j=125^\circ C$ )	$di/dt$	200	$A/s$
Peak gate current ( $t_p=20\mu s, T_j=125^\circ C$ )	$I_{GM}$	10	A



JCT1630C

 JieJie Microelectronics Co., Ltd.

~~CHINA SINGAPORE HONG KONG TAIWAN USA~~

J CT 16 30 C

---

TEL



FIG.7



PACKAGE MECHANICAL DATA



