



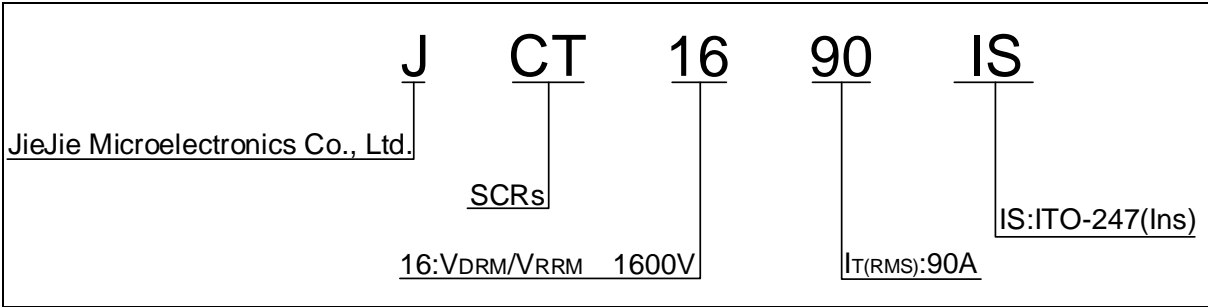
JCT1690IS 90A SCR

Rev.A.1.1

DESCRIPTION:

With high ability to withstand the shock loading of

ORDERING INFORMATION



MARKING

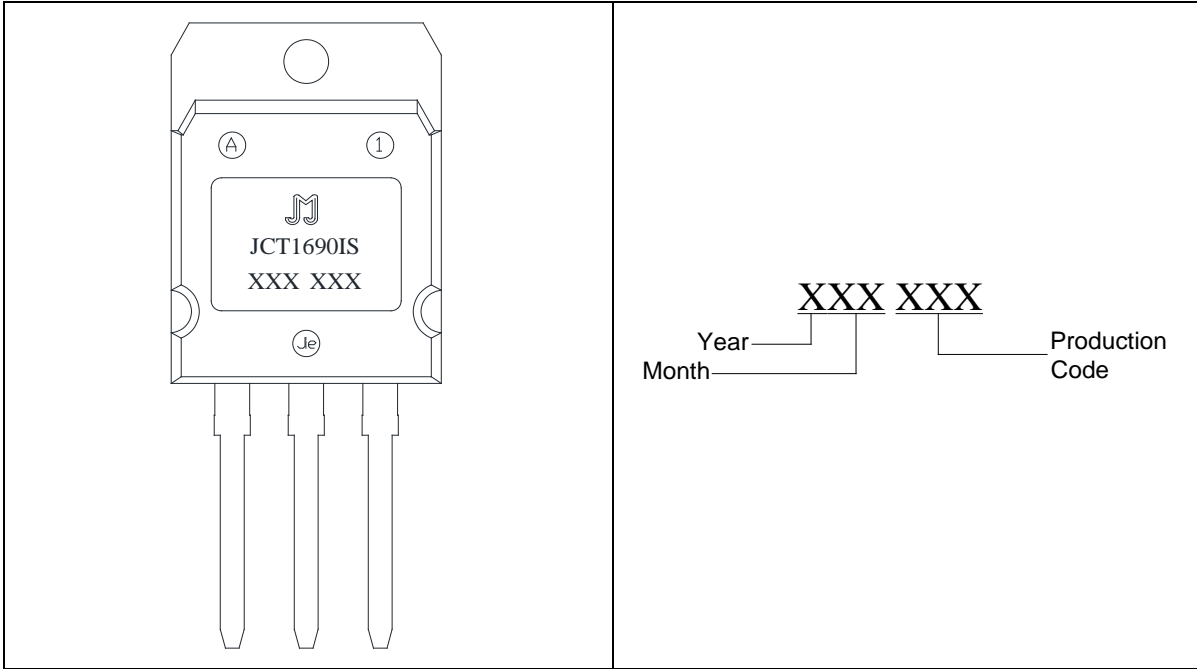


FIG.1: Maximum power dissipation versus RMS on-state current

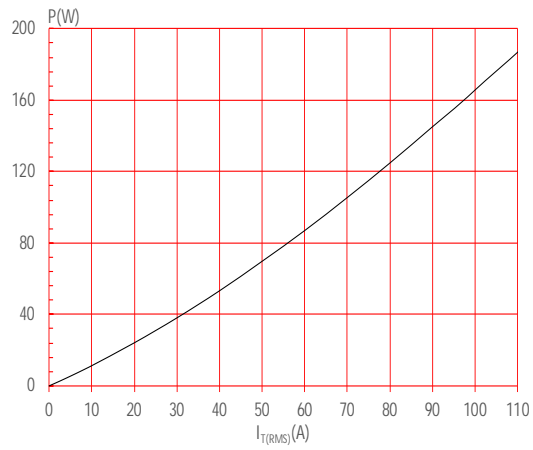
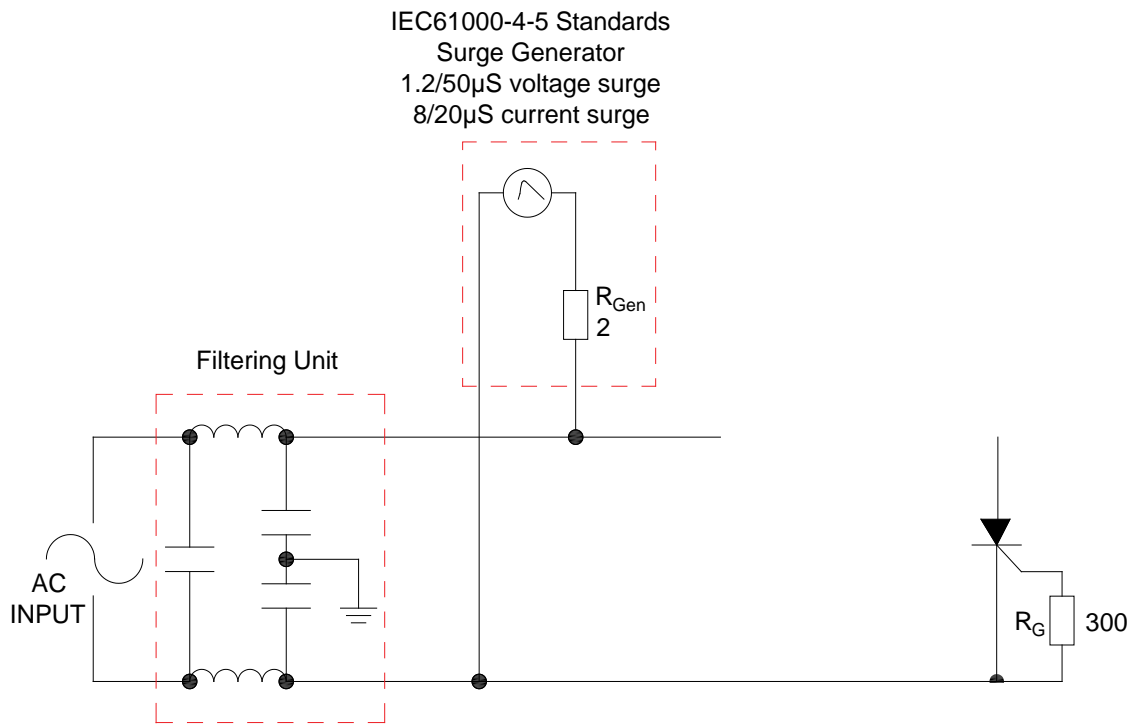


FIG.2: RMS on-state current versus case temperature

FIG.7 Test circuit for inductive and resistive loads to IEC-61000-4-5 standards.



ORDERING INFORMATION

Order code	Voltage V_{DRM}/V_{RRM} (V)	IGT(mA)	Package	Base qty. (pcs)	Delivery mode
JCT1690IS	1600	10-80	ITO-247(Ins)	25	Tube

Document Revision History

Date	Revision	Changes
Apr.13, 2023	A1a9 0.004 Tc -0S.0C	

