

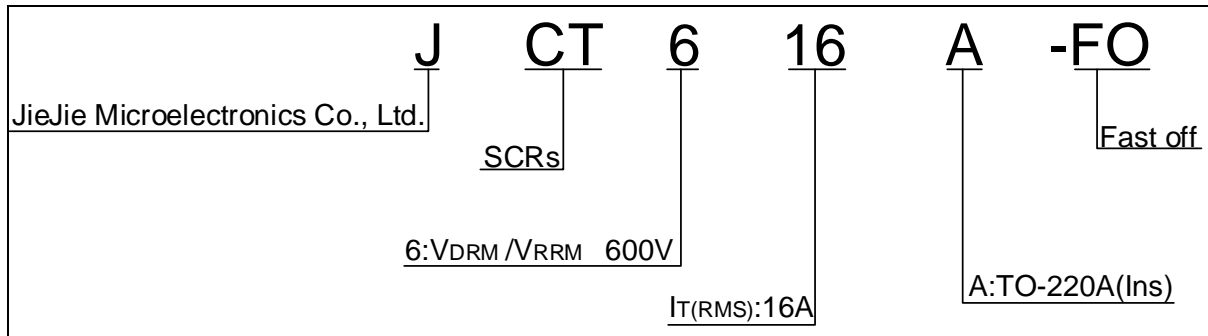
JIEJIE MICROELECTRONICS CO., LTD.

TEL +86 513 83639777

Average gate power dissipation	$P_{G(AV)}$	1	W
Peak gate power	$P_{GM}$	5	W
Peak pulse voltage ( $T_j=25^\circ\text{C}$ ; non-repetitive, off-state; FIG.7)	$V_{pp}$	0.7	kV

ELECTRICAL CHARACTERISTICS (unless otherwise specified)					
Symbol	Test Condition	Value			Unit
		MIN.	TYP.	MAX.	
$I_{GT}$	$V_D=12V R_L=33\Omega$	3	-	6	mA
$V_{GT}$		-	-	1.3	V
$V_{GD}$	$V_D=V_{DRM}$				

ORDERING INFORMATION



MARKING

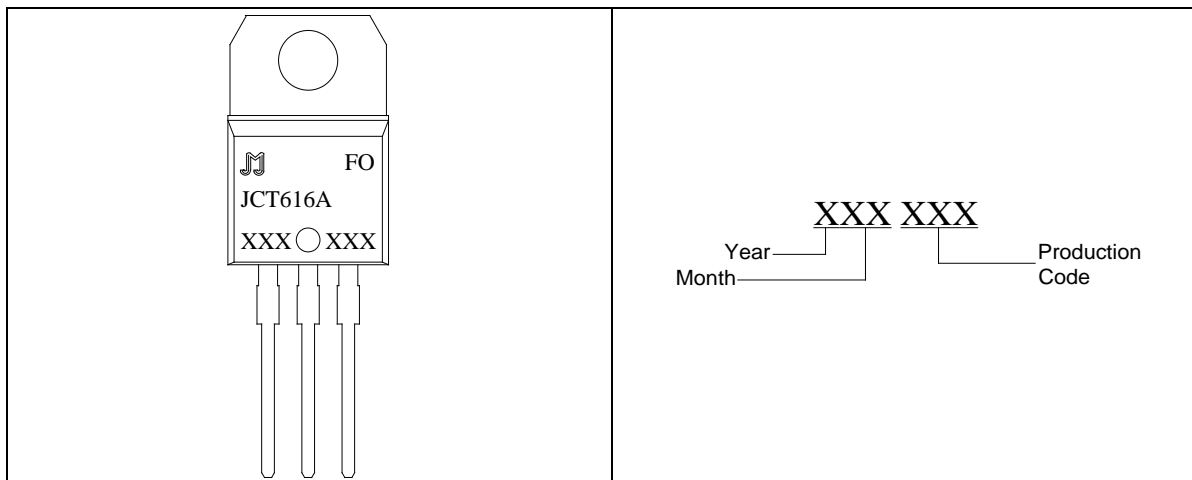
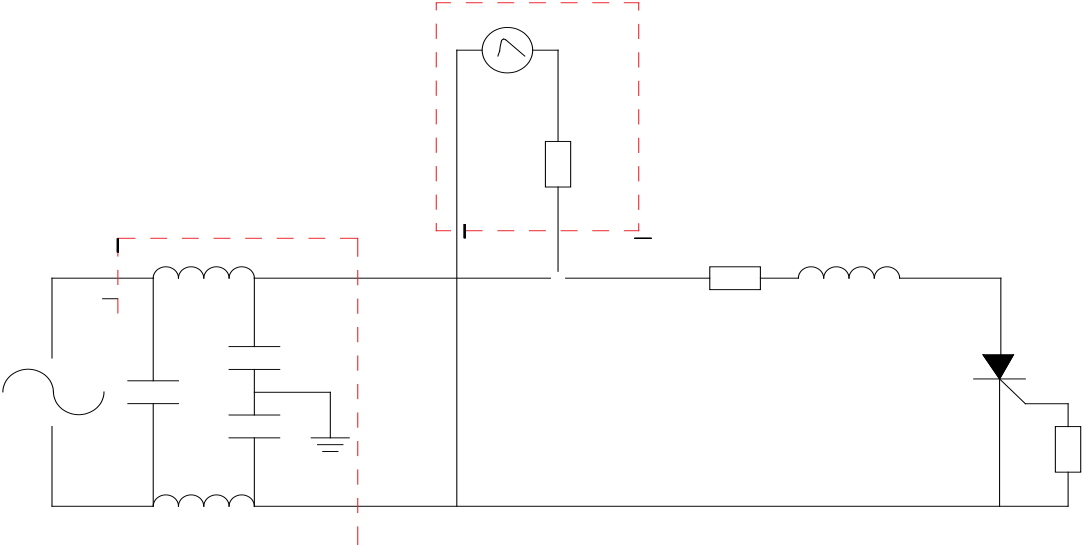




FIG.7 Test circuit for inductive and resistive loads to IEC-61000-4-5 standards





JCT616A-FO

JieJie M