

# **JIEJIE MICROELECTRONICS CO., LTD.**

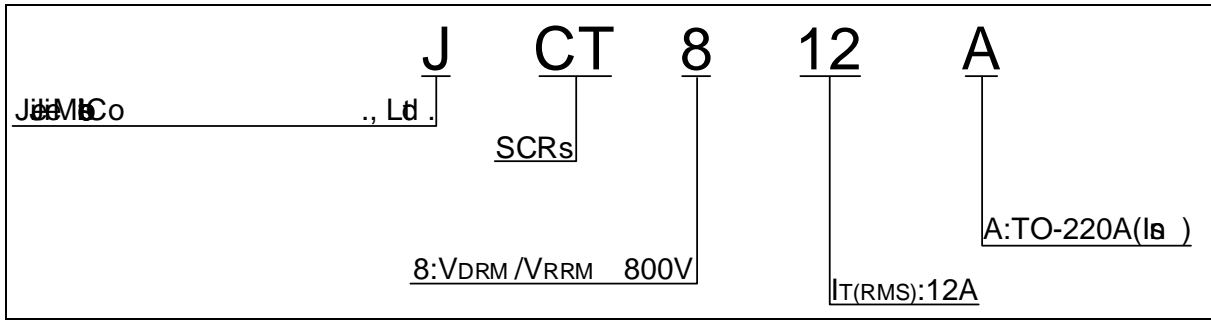
---

$P_{GM}$ ( $t_p=20\mu s$ $T_j=125$ )	$I_{GM}$	4	A
$A_{GM}$ ( $T_j=125$ )	$P_{G(AV)}$	1	W
$P_{GM}$	$P_{GM}$	10	W
$P_{GM}$ ( $T_j=25$ ; $\rho$ - $\rho$ -FIG.7)	$V_p$	0.5	V

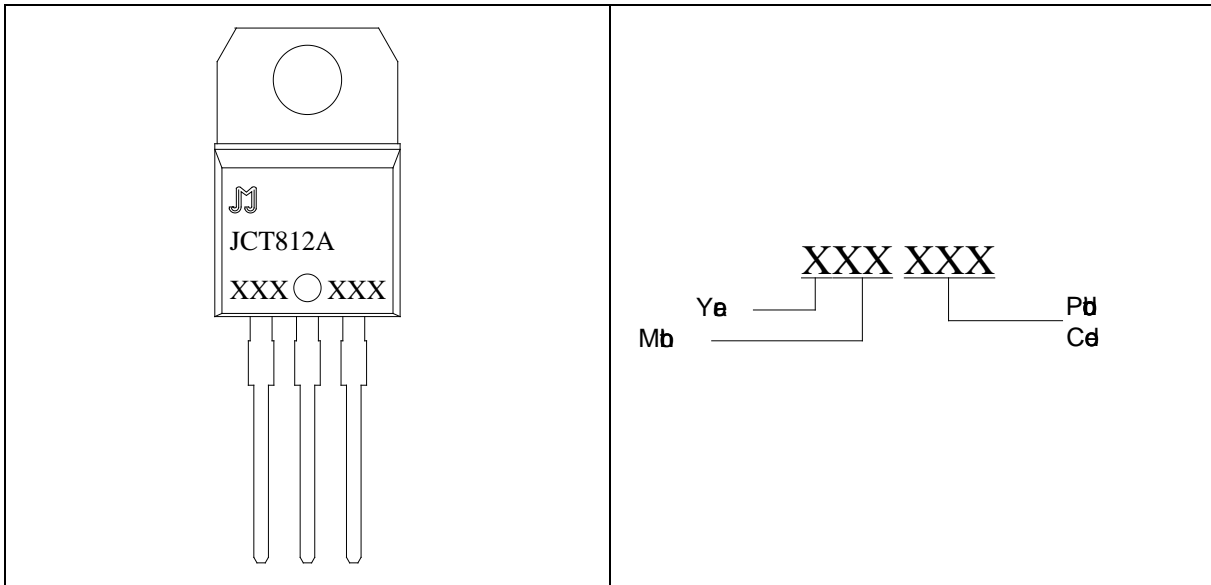
ELECTRICAL CHARACTERISTICS ( $T_j=25$  )

Symbol	Test Condition	Value			Unit
		MIN.	TYP.	MAX.	
$I_{GT}$	$V_D=12V$ $R_L=33$				

ORDERING INFORMATION



MARKING



**FIG.1:** ~~Micro~~  
RMS ~~0 - 10~~



**FIG.2:** RMS ~~0 - 10~~  
~~0~~



## ORDERING INFORMATION

Order code	Voltage $V_{DRM}/V_{RRM}$ (V)	IGT(mA)	Package	Base qty. (pcs)	Delivery mode
JCT812A	800	15	TO-220A(Ins)	50	Tube

**Document Revision History**

Da	Ra	Ca
Ap .13, 2023	A.1.0	L#
Ot .10, 2025	A.1	

PACKAGE MECHANICAL DATA

