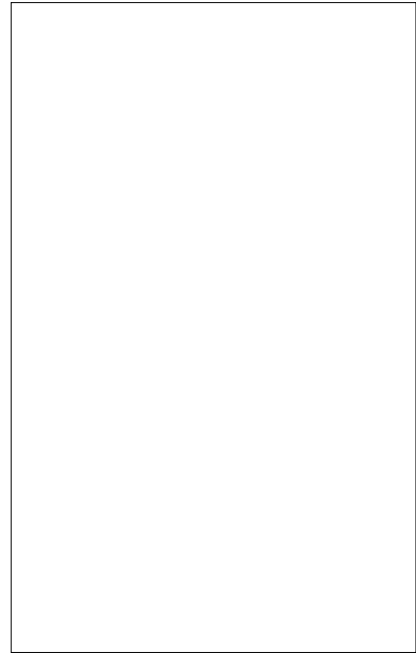




JCT820C 20A SCR

Rev.A.1.1

With high ability to withstand the shock loading of large current, JCT820C SCR provides high dV/dt rate with strong resistance to electromagnetic interference. It is especially recommended for use on solid state relay, motorcycle, power charger, T-tools etc. Package TO-220C is RoHS compliant.

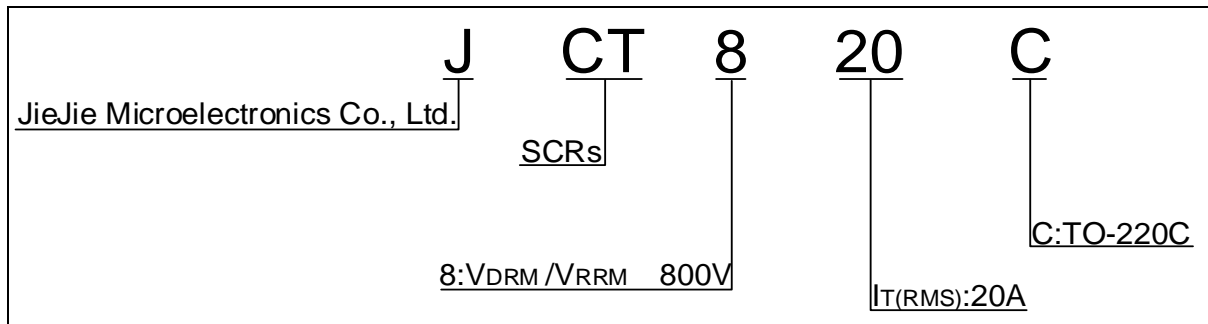


Peak gate power

P_{GM}

20

W



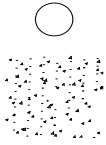
JCT820C

FIG.1: Maximum power dissipation versus RMS on-state current



FIG.2: RMS on-state current versus case temperature

Order code	Voltage V_{DRM}/V_{RRM} (V)	IGT(mA)	Package	Base qty. (pcs)	Delivery mode
JCT8					



Information furnished in this document is believed to be accurate and reliable.

However, Jiangsu JieJie Microelectronics Co., Ltd assumes no responsibility for the consequences of use without consideration for such information nor use beyond it.

Information mentioned in this document is subject to change without notice, apart

need/TT2 1sd asntlg10 (oc)40 (nt)2sored0 (n n) (.)2 (,ad (not)ed)10 (i)6ain nie Microelecironics C