

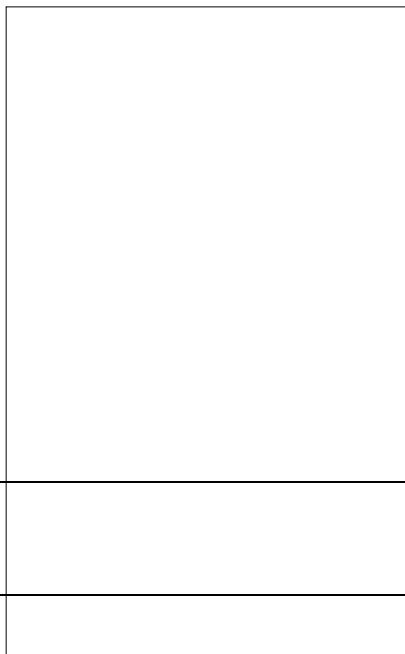


## JCT840C 40A SCR

Rev.A.1.1

### DESCRIPTION:

With high ability to withstand the shock loading of large current, JCT840C SCR provides high dV/dt rate with strong resistance to electromagnetic interference. It is especially recommended for use on solid state relay, motorcycle, power charger, T-tools etc. Package TO-220C is RoHS compliant.



### MAIN FEATURES

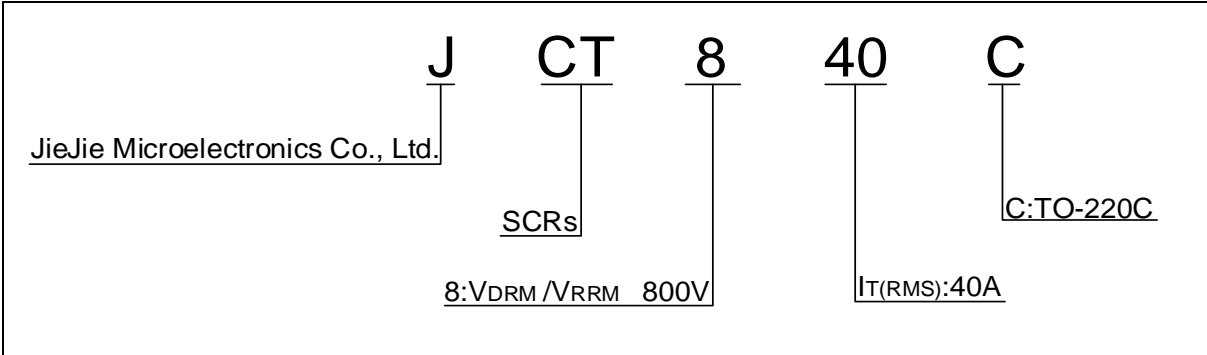
### ABSOLUTE MAXIMUM RATINGS

Parameter	Symbol	Value	Unit
Storage junction temperature range	T <sub>stg</sub>	-40-150	
Operating junction temperature range	T <sub>j</sub>	-40-125	
Repetitive peak current	I <sub>Te</sub>		

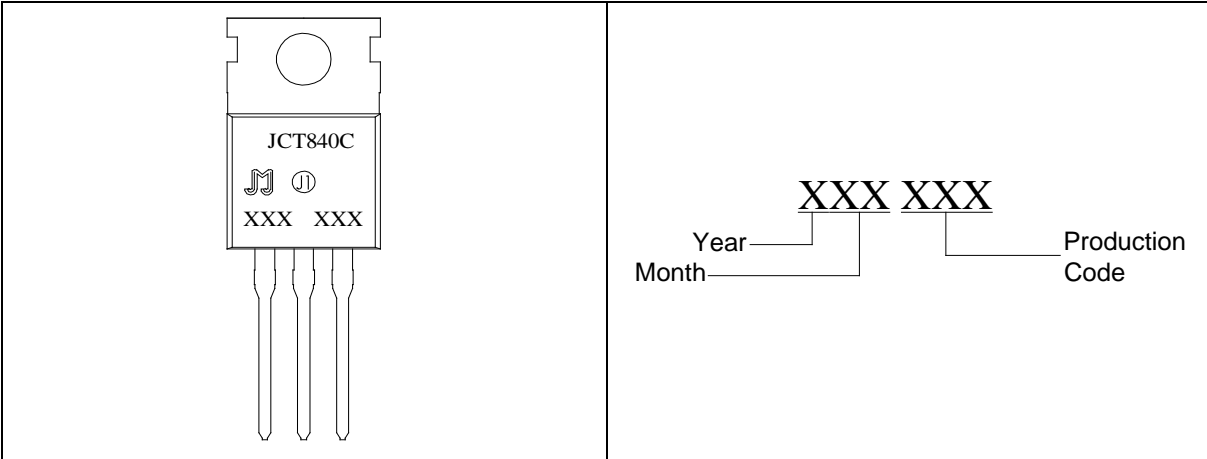
**JCT840C**

**JieJie Microelectronics Co.**

ORDERING INFORMATION



MARKING



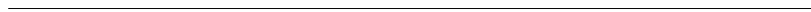
# JCT840C

**FIG.1:** Maximum power dissipation versus RMS on-state current



**FIG.2:** RMS on-state current versus case temperature

FIG.7 Test circuit for inductive and resistive loads to IEC-61000-4-5 standards.




**ORDERING INFORMATION**

Order Code	Voltage $V_{DRM}/V_{RRM}$ (V)	IGT(mA)	Package	1CID 1 6 /P<</M
------------	----------------------------------	---------	---------	-----------------

**JCT840C**

Information furnished in this document is believed to be accurate and reliable. However, Jiangsu JieJie Microelectronics Co., Ltd. assumes no responsibility for the consequences of use without consideration for such information nor use beyond it. Information mentioned in this document is subject to change without notice, apart from that when an agreement is signed, Jiangsu JieJie complies with the agreement. Products and information provided in this document have no infringement of patents. Jiangsu JieJie assumes no responsibility for any infringement of other rights of third parties which may result from the use of such products and information. This document supersedes and replaces all information previously supplied.

 is a registered trademark of Jiangsu JieJie Microelectronics Co., Ltd. Copyright © 2025 Jiangsu JieJie Microelectronics Co., Ltd. All rights reserved.