



Peak gate current ( $t_p=20\mu s$ , $T_j=150$ )	$I_{GM}$	10	A
Average gate power dissipation ( $T_j=150$ )	$P_{G(AV)}$	1	W
Peak gate power	$P_{GM}$	20	W
Peak pulse voltage ( $T_j=25$ ; non-repetitive, off-state; FIG.7)	$V_{pp}$	0.5	kV

**ELECTRICAL CHARACTERISTICS** ( $T_j=25$  unless otherwise specified)

Symbol	Test Condition	Value			Unit
		MIN.	TYP.	MAX.	
$I_{GT}$	$V_D=12V$ $R_L=33$	-	-	35	mA
$V_{GT}$		-	-	1	V
$V_{GD}$	$V_D=V_{DRM}$ $T_j=150$ $R_L=3.3k$	0.2	-	-	V
$I_L$	$I_G=1.2I_{GT}$	-	-	80	mA
$I_H$	$I_T=500mA$	-	-	70	mA
dV/dt	$V_D=540V$ Gate Open $T_j=125$	1 00	-	-	V/ $\mu s$
	$V_D=540V$ Gate Open $T_j=150$	500	-	-	
$t_{on}$	$I_G=40mA$ $I_A=400mA$ $I_R=40mA$ $T_j=25$	-	2	-	$\mu s$
$t_{off}$		-	60	-	

**STATIC CHARACTERISTICS**

Symbol	Parameter		Value(MAX.)	Unit
$V_{TM}$	$I_{TM}=80A$ $t_p=380\mu s$	$T_j=25$	1.55	V
$V_{TO}$	Threshold voltage	$T_j=150$	0.65	V
$R_D$	Dynamic resistance	$T_j=150$	17	m

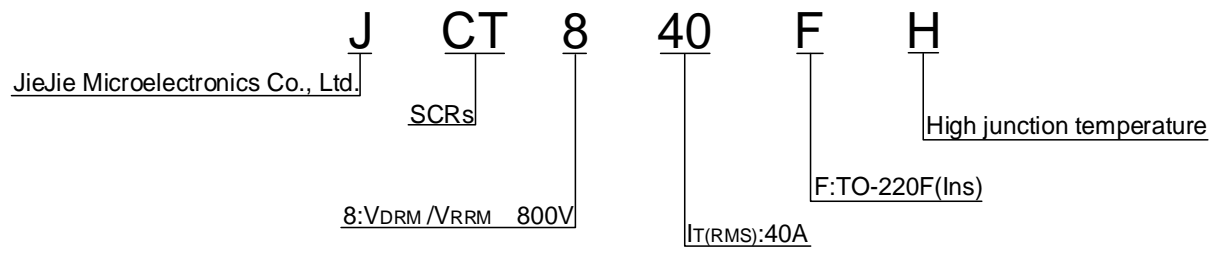
$I_{DRM}$  e'

D

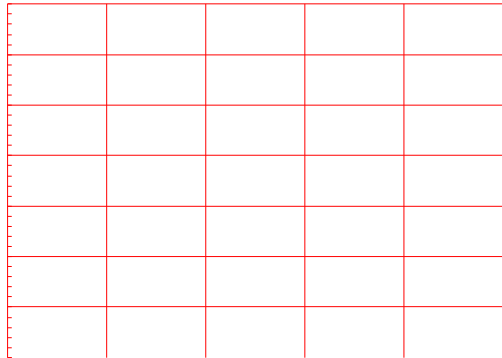
R ee

M

## ORDERING INFORMATION

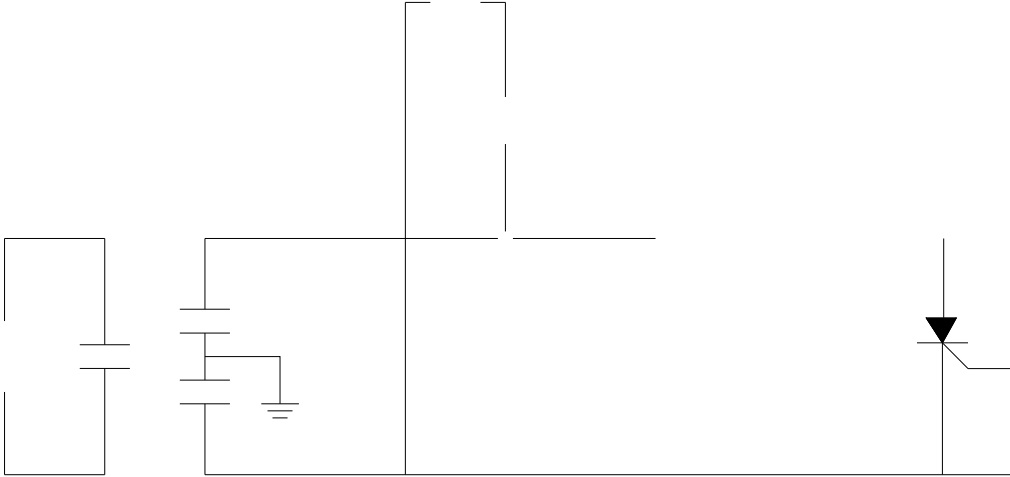


**FIG.1:** Maximum power dissipation versus RMS on-state current



**FIG.2:** RMS on-state current versus case temperature

FIG.7 Test circuit for inductive and resistive loads to IEC-61000-4-5 standards.



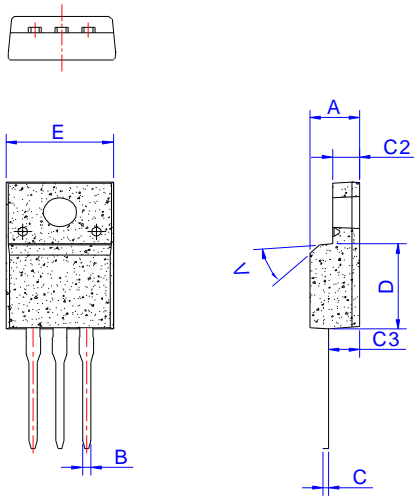
**ORDERING INFORMATION**

<b>Order code</b>	<b>Voltage V<sub>DRM</sub>/V<sub>RRM</sub> (V)</b>	<b>IGT(mA)</b>	<b>Package</b>	<b>Base qty. (pcs)</b>	<b>Delivery mode</b>
<b>JCT840FH</b>	<b>800</b>	<b>35</b>	<b>TO-220F(Ins)</b>	<b>50</b>	<b>Tube</b>

**Document Revision History**

<b>Date</b>	<b>Revision</b>	<b>Changes</b>
Jun.15, 2023	A.1.0	Last update
Oct.16, 2025	A.1.1	Revise PACKAGE MECHANICAL DATA

PACKAGE MECHANICAL DATA



Information furnished in this document is believed to be accurate and reliable. However, Jiangsu JieJie Microelectronics Co., Ltd. assumes no responsibility for the consequences of use without consideration for such information nor use beyond it. Information mentioned in this document is subject to change without notice, apart from that when an agreement is signed, Jiangsu JieJie complies with the agreement. Products and information provided in this document have no infringement of patents. Jiangsu JieJie assumes no responsibility for any infringement of other rights of third parties ww w