



## JX008V 0.8A Sensitive SCR

Rev.A.1.1

### DESCRIPTION:

The JX008V SCR provides high  $dV/dt$  and  $dI/dt$  immunity, making it suitable for use in high-frequency applications. It is especially recommended for use in high-frequency applications. Package SOT-223 is RoHS compliant.

### MAIN FEATURES

Symbol	Value	Unit
$I_{T(RMS)}$	0.8	A
$V_{DRM}/V_{RRM}$	800	V
$I_{GT}$	200	$\mu A$

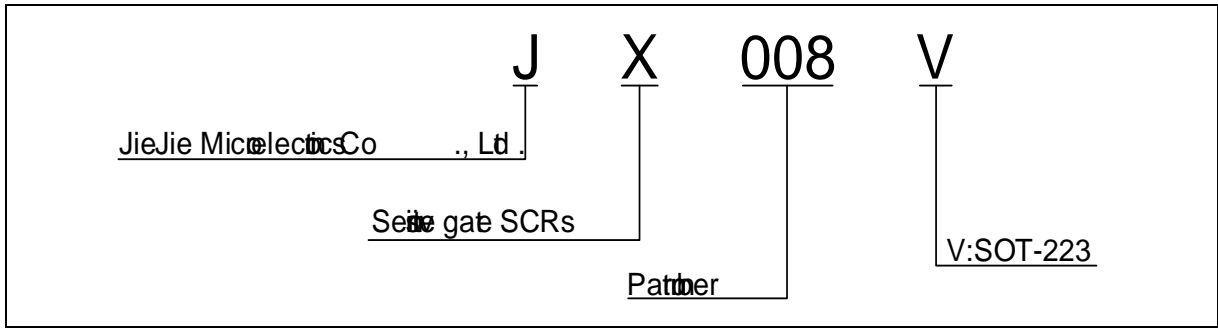
### ABSOLUTE MAXIMUM RATINGS

Parameter	Symbol	Value	Unit
Storage temperature range	$T_s$	-40-150	
Operating temperature range	$T_j$	-40-125	
Repetitive peak reverse voltage ( $T_j=25^\circ C$ )	$V_{DRM}$	800	V
Repetitive peak reverse voltage ( $T_j=25^\circ C$ )	$V_{RRM}$	800	V
Average on-state current ( $T_c=89^\circ C$ )	$I_{T(AV)}$	0.5	A
RMS on-state current ( $T_c=89^\circ C$ )	$I_{T(RMS)}$	0.8	A
Non-repetitive peak on-state current ( $t_p=10ms, T_j=25^\circ C$ )	$I_{TSM}$	8	A
Non-repetitive peak on-state current ( $t_p=8.3ms, T_j=25^\circ C$ )		9.9	

**JX008V**

**JieJie M**

**ORDERING INFORMATION**



**MARKING**

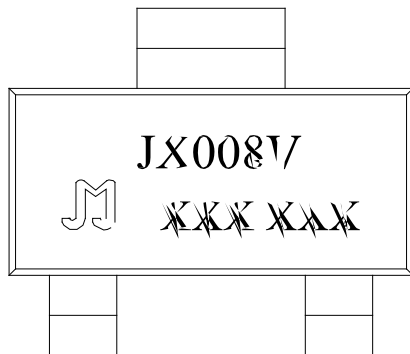


FIG.1: Main parameters  
RMS of the cath

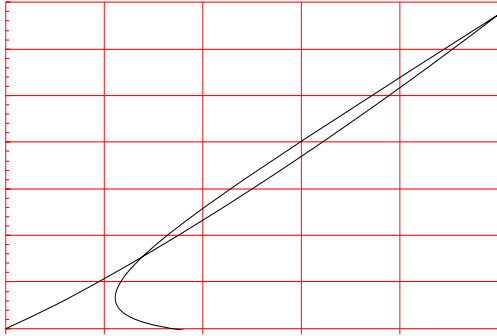
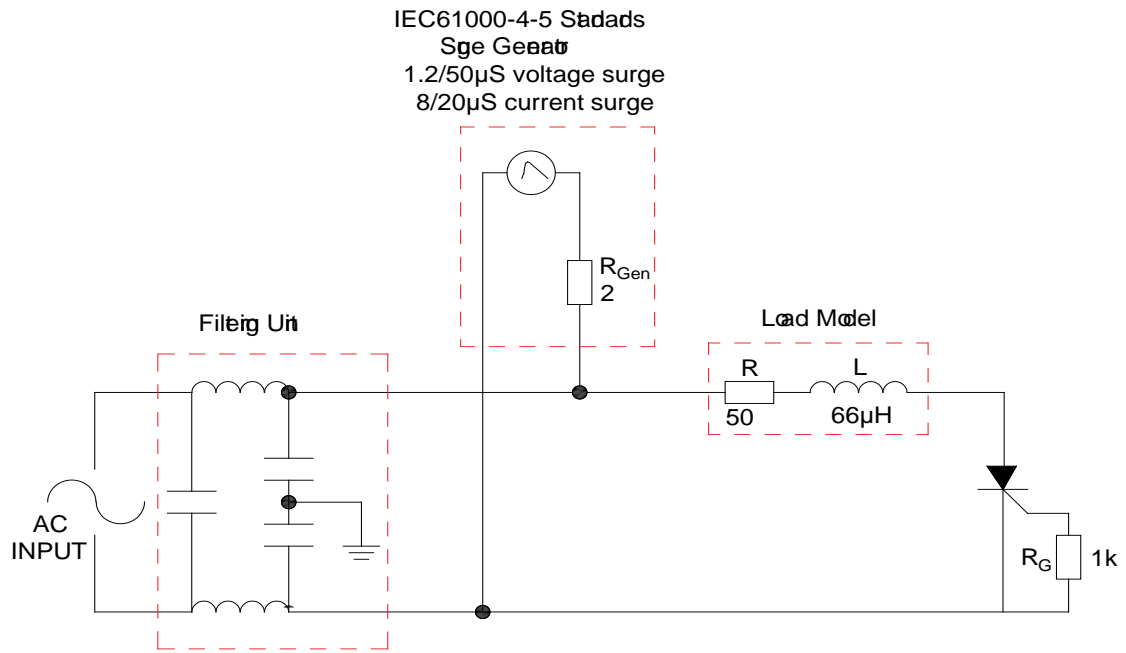


FIG.2: RMS of the cathode  
temp



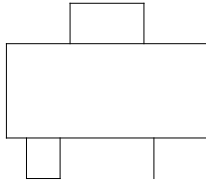
FIG.8 Test circuit for surge test

-61000-4-5





PACKAGE MECHANICAL DATA




Ref.	Dimensions					
	Millimeters			Inches		
	Min	Typ	Max	Min	Typ	Max
A	1.50	1.60	1.80	0.059	0.063	0.071
A1	0.01	0.06	0.10	0.001	0.002	0.004
B	2.90	3.00	3.10	0.114	0.118	0.122
B1	0.60	0.70	0.80	0.024	0.028	0.031
C	0.22	0.26	0.32	0.009	0.010	0.013
D	6.30	6.50	6.70	0.248	0.256	0.264
E	3.30	3.50	3.70	0.130	0.138	0.146
F	4.40			0.173		
F1	2.20			0.087		
G	0.50		1.00	0.020		0.039
H	1.50	1.75	2.00	0.059	0.069	0.079
J	6.70	7.00	7.30	0.264	0.276	0.287
K						

DELIVERY MODE

Ref.	Millimeters			Inches		
	Min	Typ	Max	Min	Typ	Max
W	-		12.30	-		0.482
E	1.65	1.75	1.85	0.065	0.069	0.073
F	5.45	5.50	5.55	0.215	0.217	0.219
D0		1.55	1.60		0.061	0.063
D1		-	-			
P0	3.90	4.00	4.10	0.154	0.157	0.161
P1	7.90	8.00	8.10	0.311	0.315	0.319
P2	1.95	2.00	2.05	0.077	0.079	0.081
10P0	39.80	40.00	40.20	1.567	1.575	1.583
A0	6.85	6.95	7.05	0.269	0.273	0.276
B0	7.15	7.25	7.35	0.280	0.284	0.288
K0	1.95	2.05	2.15	Max 0.076	0.080	0.084
T	0.20	0.25	0.30	0.008	0.010	0.012

Information in this document is believed to be accurate and reliable. However, JieJie Microelectronics Co., Ltd. assumes no responsibility for consequences or accidents arising from its use. Information in this document is subject to change without notice, and without prior notice. JieJie Microelectronics Co., Ltd. reserves the right to modify or cancel the information in this document at any time without notice. This document is intended for internal use only. All rights reserved.

 JieJie Microelectronics Co., Ltd. © 2025 JieJie Microelectronics Co., Ltd. All rights reserved.