



JX014V 1.25A Sensitive SCR

Rev.A.1.2

DESCRIPTION: V

The JX014V SCR provides high dV/dt rate

Peak gate power	P_{GM}	2	W
Peak pulse voltage ($T_j=25$; non-repetitive,off-state;FIG.8)	V_{pp}	1	kV

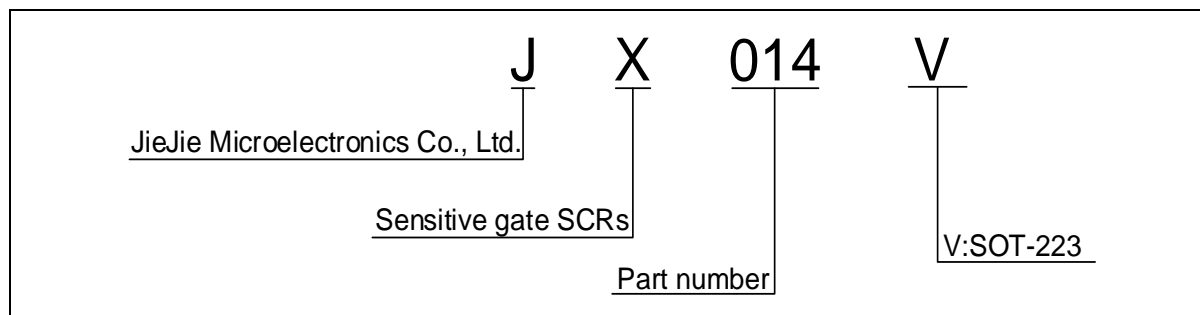
ELECTRICAL CHARACTERISTICS ($T_j=25$ unless otherwise specified)

Symbol	Test Condition	Value			Unit
		MIN.	TYP.	MAX.	
I_{GT}	$V_D=12V R_L=33$	-	50	200	μA
V_{GT}		-	0.6	0.8	V
V_{GD}	$V_D=V_{DRM} T_j=110$	0.2	-	-	V
I_L	$I_G=1.2 I_{GT}$	-	-	5	mA
I_H	$I_T=0.05A$	-	-	4	mA
dV/dt	$V_D=800V T_j=110 R_{GK}=1k$	200	-	-	V/ μs
	$V_D=800V T_j=110 R_{GK}=220$	1000	-	-	
t_{on}	$I_G=10mA I_A=20mA I_R=2mA$	-	2	-	μs
t_{off}	$T_j=25$	-	50	-	μs

STATIC CHARACTERISTICS

Symbol	Parameter	Value(MAX.)	Unit
V_{TM}	$I_T=2A t_p=380\mu s T_j=25$		

ORDERING INFORMATION



MARKING

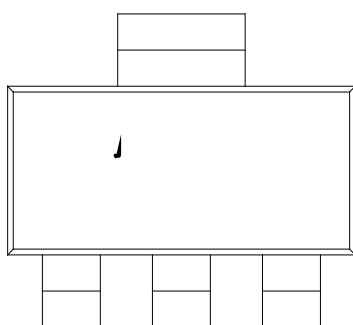


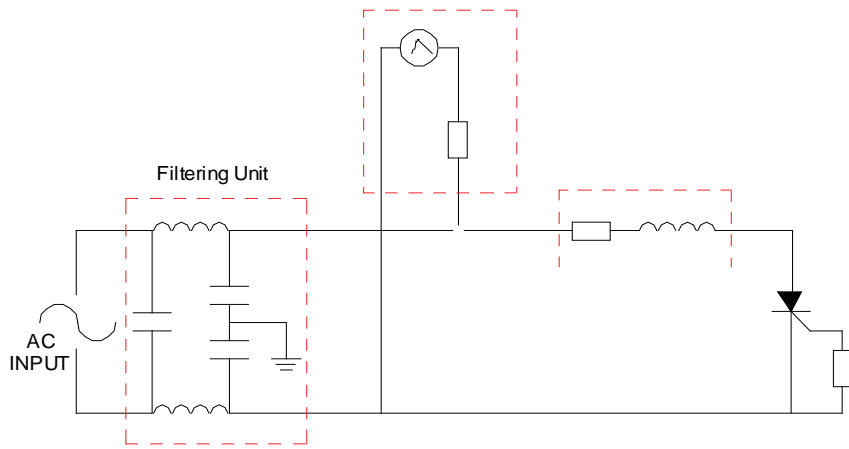
FIG.1: Maximum power dissipation versus RMS on-state current



FIG.2: RMS on-state current versus case temperature

FIG.8 Test circuit for inductive and resistive loads to IEC-61000-4-5 standards.


IEC61000-4-5 Standards
Surge Generator



PACKAGE MECHANICAL DATA

Ref.	Dimensions					
	Millimeters			Inches		
	Min.	Typ.	Max.	Min.	Typ.	Max.
A	1.50	1.60	1.80	0.059		0.071
A1	0.01	0.06	0.10		0.002	
B	2.90	3.00	3.10	0.114		0.122
B1	0.60	0.70	0.80	0.024		0.031
C	0.22	0.26	0.32	0.009		0.013
D	6.30	6.50	6.70	0.248		0.264
E	3.30	3.50	3.70	0.130		0.146
F	4.40					
F1	2.20					
G						
H	1.50		2.00	0.059		0.079
J	6.70		7.30	0.264		0.287
K						

Information furnished in this document is believed to be accurate and reliable. However, Jiangsu JieJie Microelectronics Co., Ltd. assumes no responsibility for the consequences of use without consideration for such information nor use beyond it. Information mentioned in this document is subject to change without notice, apart from that when an agreement is signed, Jiangsu JieJie complies with the agreement. Products and information provided in this document have no infringement of patents. Jiangsu JieJie assumes no responsibility for any infringement of other rights of third parties which may result from the use of such products and information. This document supersedes and replaces all information previously supplied.

 is a registered trademark of Jiangsu JieJie Microelectronics Co., Ltd.
Copyright © 2025 Jiangsu JieJie Microelectronics Co., Ltd. All rights reserved.