



## JX014W 1.25A Sensitive SCR

Rev.A.1.2

### DESCRIPTION:

The JX014W SCR provides high  $dV/dt$  rate with strong resistance to electromagnetic interface. It is especially recommended for use on residual current circuit breaker, straight hair, igniter etc. Package SOT-223-2L is RoHS compliant.

### MAIN FEATURES

Symbol	Value	Unit
$I_{T(RMS)}$	1.25	A
$V_{DRM} / V_{RRM}$	1250	V
$I_{GT}$	200	$\mu A$

### ABSOLUTE MAXIMUM RATINGS

---

Parameter	Symbol	Value	Unit
-----------	--------	-------	------

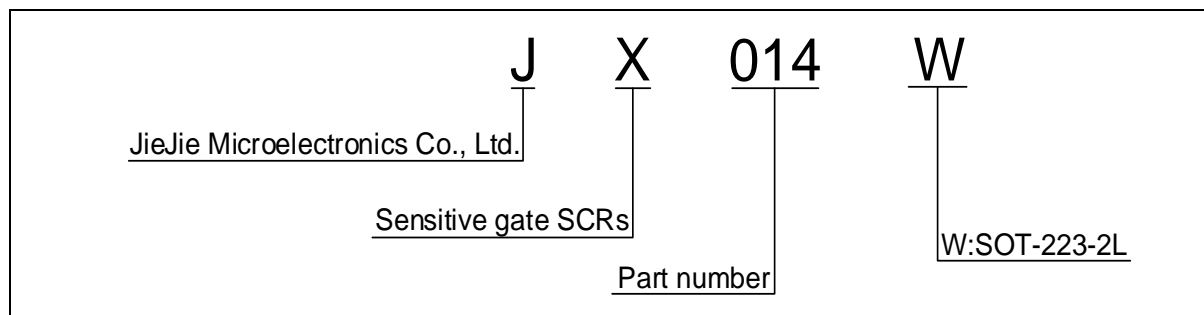
Peak gate power	$P_{GM}$	2	W
Peak pulse voltage ( $T_j=25$ ; non-repetitive,off-state;FIG.8)	$V_{pp}$	1	kV

ELECTRICAL CHARACTERISTICS ( $T_j=25$  unless otherwise specified)

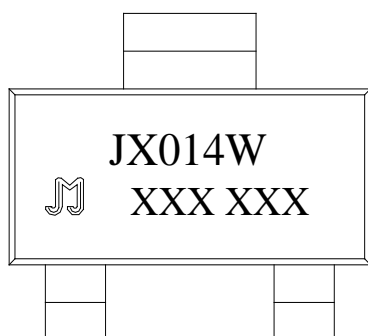
Symbol	Test Condition	Value			Unit
		MIN.	TYP.	MAX.	
$I_{GT}$	$V_D=12V R_L=33$	-	50	200	$\mu A$
$V_{GS}$		-	0.6	0.8	V
$V_{DS}$		0.2	-	-	V
$I_{DM}$		-	-	5	mA
$I_{SM}$		-	-	4	mA
$dV/dt$		200	-	-	$V/\mu s$
		1000	-	-	
$t_{on}$		-	2	-	$\mu s$
$t_{off}$		-	50	-	$\mu s$

	Value(MAX.)	Unit
	1.3	V
	0.8	V

ORDERING INFORMATION



MARKING



**FIG.1:** Maximum power dissipation versus RMS on-state current

**FIG.2:** RMS on-state current versus case temperature

**FIG.7:** Relative variations of gate trigger current, holding current and latching current versus junction temperature

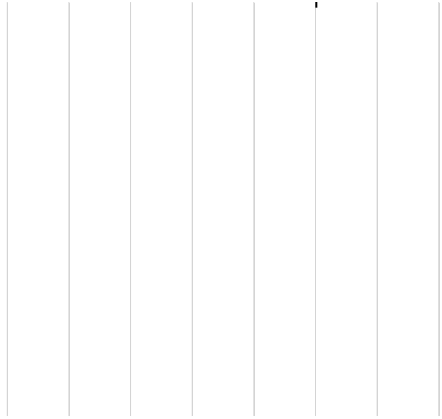
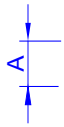


FIG.8

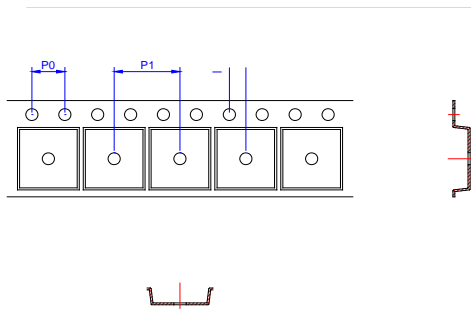
**ORDERING INFORMATION**

Order code	Voltage $V_{DRM}/V_{RRM}$ (V)	IGT( $\mu$ A)	Package	Base qty. (pcs)	Delivery mode
JX014W	1250	200	SOT-223-2L	4,000	Tape & Reel

PACKAGE MECHANICAL DATA --




DELIVERY MODE



Ref.	Dimensions					
	Millimeters			Inches		
	Min.	Typ.	Max.	Min.	Typ.	Max.
W	-		12.30	-		0.482
E	1.65	1.75	1.85	0.065	0.069	0.073
F	5.45	5.50	5.55	0.215	0.217	0.219
D0		1.55	1.60		0.061	0.063
D1		-	-			
P0	3.90	4.00	4.10	0.154	0.157	0.161
P1	7.90	8.00	8.10	0.311	0.315	0.319
P2	1.95	2.00	2.05	0.077	0.079	0.081
10P0	39.80	40.00	40.20	1.567	1.575	1.583
A0	6.85	6.95	7.05	0.269	0.273	0.276
B0	7.15	7.25	7.35	0.280	0.284	0.288
K0	1.95	2.05	2.15	0.076	0.080	0.084
T	0.20	0.25	0.30	0.008	0.010	0.012

Information furnished in this document is believed to be accurate and reliable. However, Jiangsu JieJie Microelectronics Co., Ltd. assumes no responsibility for the consequences of use without consideration for such information nor use beyond it. Information mentioned in this document is subject to change without notice, apart from that when an agreement is signed, Jiangsu JieJie complies with the agreement. Products and information provided in this document have no infringement of patents. Jiangsu JieJie assumes no responsibility for any infringement of other rights of third parties which may result from the use of such products and information. This document supersedes and replaces all information previously supplied.

 is a registered trademark of Jiangsu JieJie Microelectronics Co., Ltd.  
Copyright © 2025 Jiangsu JieJie Microelectronics Co., Ltd. All rights reserved.