



T0810H-6K 8A TRIAC

Rev.A.1.2

DESCRIPTION:

The T0810H-6K triac is suitable for general purpose AC switching. It can be used as an ON/OFF function in

ORDERING INFORMATION

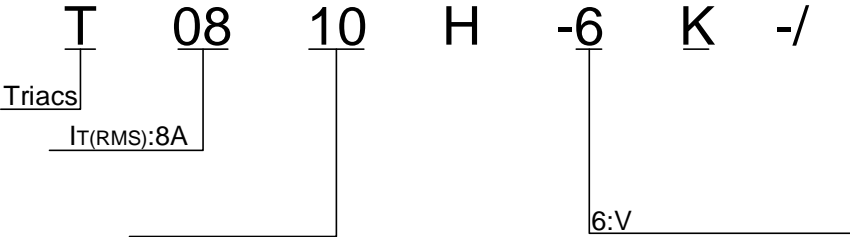


FIG.1: Maximum power dissipation versus RMS on-state current

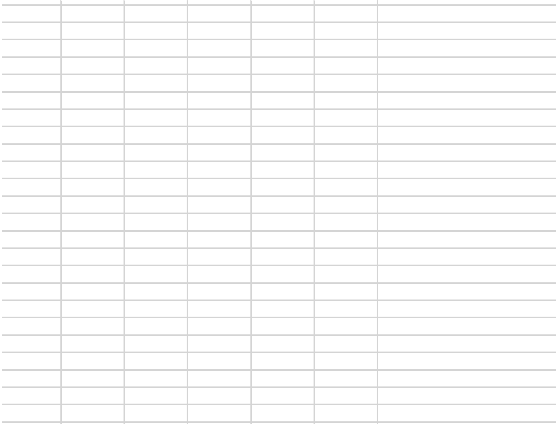


FIG.2: RMS on-state current versus case temperature

FIG.7: Relative variations of gate trigger current, holding current and latching current versus junction temperature

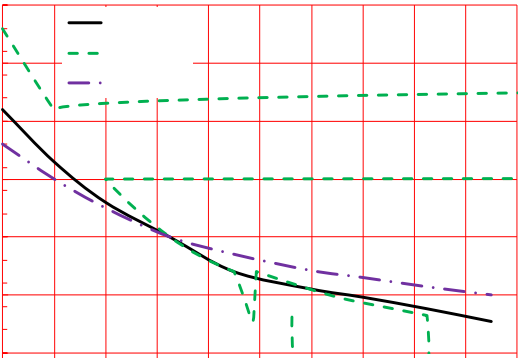
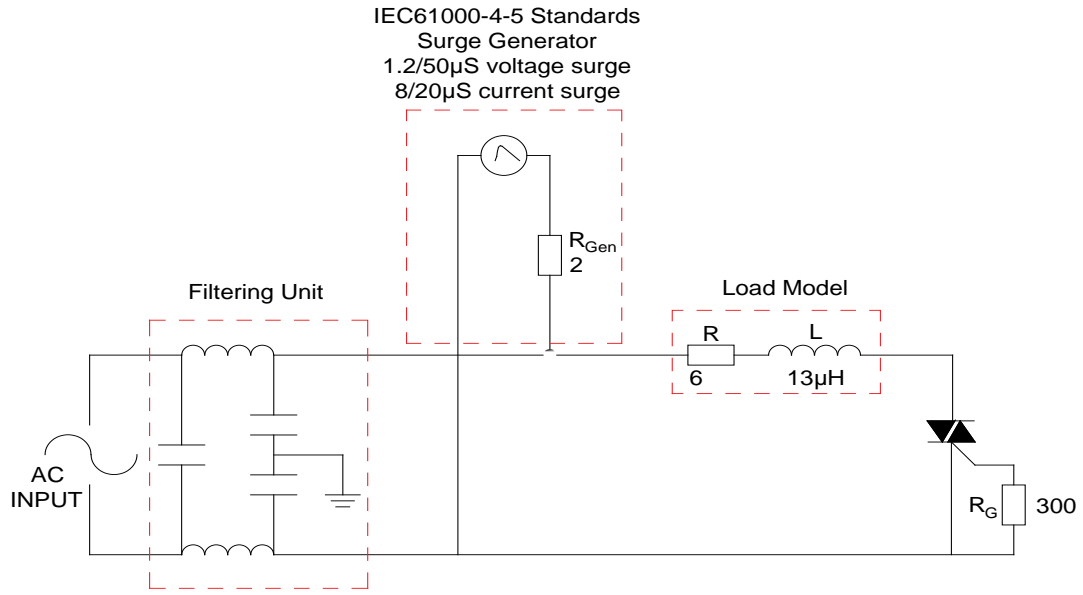


FIG.8 Test circuit for inductive and resistive loads to IEC-61000-4-5 standards



ORDERING INFORMATION

Order code	Voltage V_{DRM}/V_{RRM} (V)	IGT(mA)	Package	Base qty. (pcs)	Delivery mode
		H- I- J			
T0810H-6K	600	10	TO-252	80	Tube
T0810H-6K-TR				2,500	Tape & Reel

