

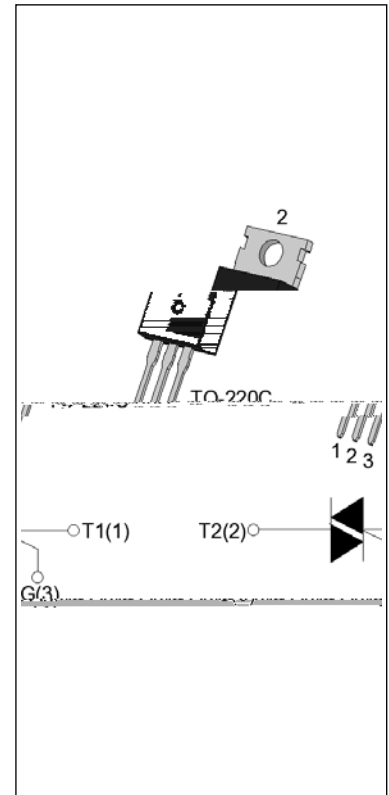


## T1610H-8C 16A TRIAC

Rev.A.1.1

### DESCRIPTION:

T1610H-8C 16A TRIAC  
 TO-220F type  
 16A  
 800V  
 150°C  
 -220°C



### MAIN FEATURES

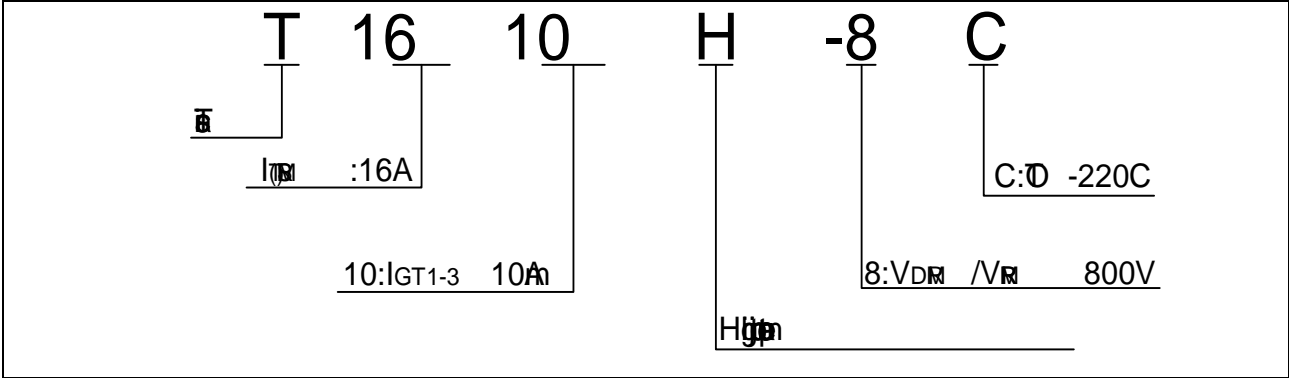
Symbol	Value	Unit
$I_{RM}$	16	A
$V_{DRM} / V_{RM}$	800	V
$I_{GT} / /$	10/10/10	A

### ABSOLUTE MAXIMUM RATINGS

Parameter	Symbol	Value	Unit
Storage temperature	$T_{\theta}$	-40-150	
Junction temperature	$T_j$	-40-150	
Peak reverse voltage (pulsed, $f=25$ Hz)	$V_{DRM}$	800	V
Peak forward voltage (pulsed, $f=25$ Hz)	$V_{FM}$	800	V
Peak non-repetitive surge current (c 127 Hz)	$I_{RM}$	16	A
Peak repetitive surge current (p=20μs, $f=25$ Hz)	$I_{SM}$	160	A
Peak repetitive surge current (p=16.6μs, $f=25$ Hz)		176	
Peak surge current (p=10μs, $f=25$ Hz)	$I^2t$	72	A <sup>2</sup> s
Gate trigger current (IG=2x IGT, f=100Hz, Tj=150°C)	$I_{GT}$	100	A/μs
Peak gate current (p=20μs, Tj=150°C)	$I_{GM}$	4	A
Peak gate power (f=150 Hz)	$P_{G(AV)}$	1	W

**T1610H-8C**

ORDERING INFORMATION

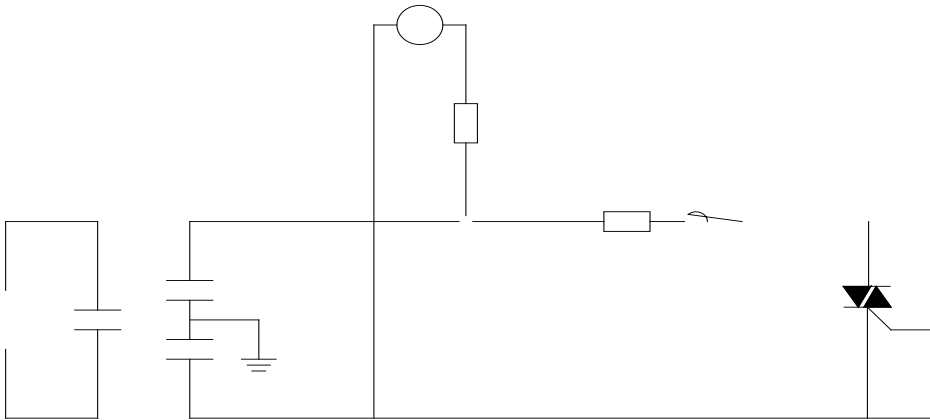


MARKING



FIG.7 测试电路

-61000-4-5 图



ORDERING INFORMATION

Order code	Voltage V <sub>DRM</sub> /V <sub>R<sub>RM</sub></sub> (V)	IGT(mA)	Package	Base qty. (pcs)	Delivery mode
		- -			
T1610H-8C	800	10	TO-220C	50	Tube

Document Revision History

Date	Rev	Change
Apr.10, 2023	A.1.0	Initial
04, 2025	A.1.1	Revised PACKAGE MECHANICAL DATA

PACKAGE MECHANICAL DATA



