



JST04H-800SW 4A TRIAC

Rev.A.1.2

DESCRIPTION:

The JST04H800SW triac is suitable for general AC switching. It can be used as ON/OFF control in power switch, lighting equipment, etc. It is a single chip device with a built-in thermal protection circuit. It is a 4-pin device with a standard TO-251 package. It is controlled by a microcontroller (MCU) through the I/O port. It is a 2-terminal device. It is a 4A triac with a peak current of 8A. It is a 4A triac with a peak current of 8A.

MAIN FEATURES

ABSOLUTE MAXIMUM RATINGS

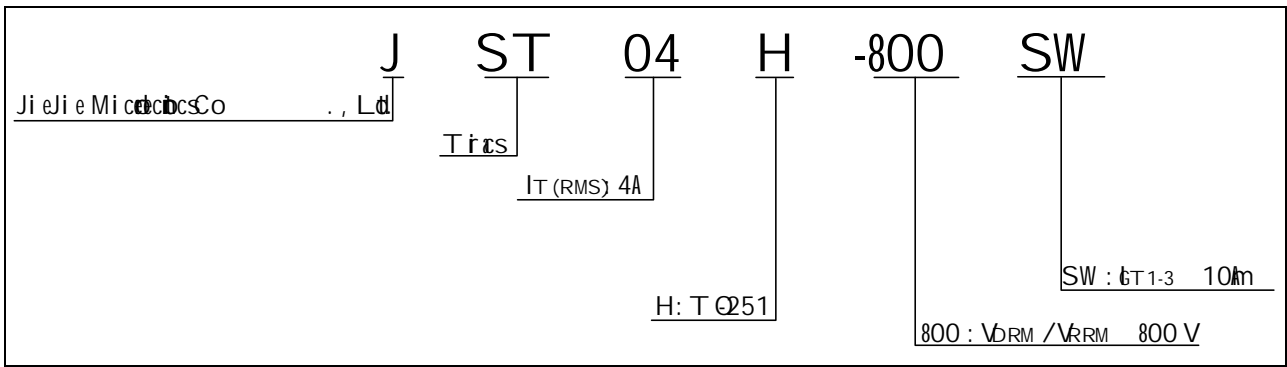
Parameter	Symbol	Value	Unit
Storage temperature	T_s	-40-150	
Operating temperature	T_j	-40-125	
Repetitive peak reverse voltage (T _j =25℃)	V_{DRM}	800	V
Repetitive peak forward voltage (T _j =25℃)	V_{RRM}	800	V
RMS on-state current (T _c =97℃)	$I_T(RMS)$	4	A
Non-repetitive peak on-state current (f _{avg} , t _p =20ms, T _j =25℃)	I_{TSM}	40	A
Non-repetitive peak on-state current (f _{avg} , t _p =16.6ms, T _j =25℃)		44	
Surge current (t _p =10ms, T _j =25℃)	I^2t	8	A ² S

Peak gate power	P_{GM}	10	W
Peak gate voltage ($T_j=25^\circ\text{C}$; ρ_{eff} as in FIG. 7)	V_p	3	V

ELECTRICAL CHARACTERISTICS (Specified)

Symbol	Test Condition	Quadrant	Value	Unit
I_{GT}	V_D			

ORDERING INFORMATION



MARKING

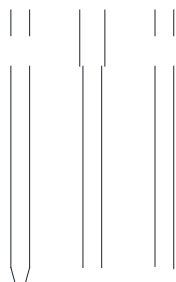


FIG.1: Maximum Power

P_{max}

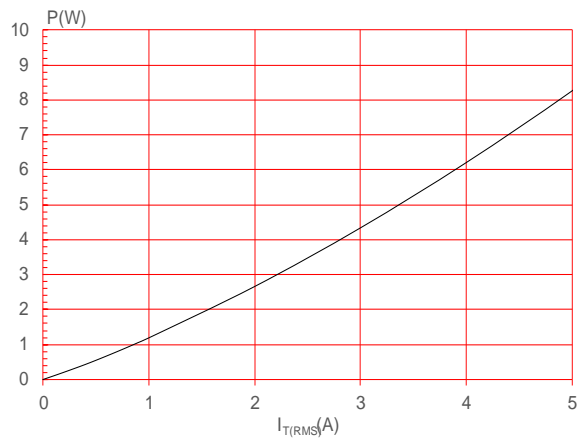


FIG.3: Storage Time

$t_{storage}$

FIG.2: RMS Current vs. Junction Temperature

$I_{T(RMS)}$

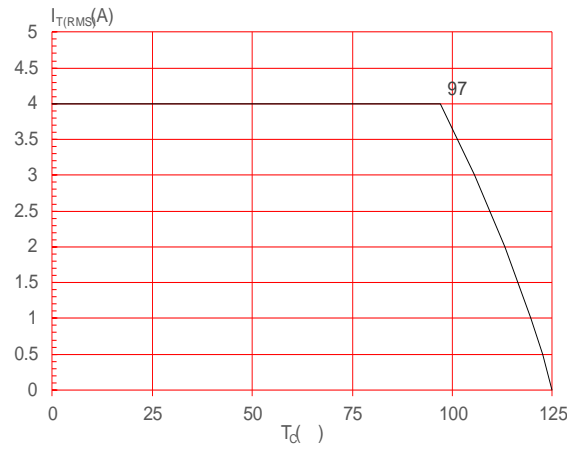


FIG.4: On-state Voltage

V_{on}

PACKAGE MECHANICAL DATA

|

JST04H-800SW