



JST04H-800TW 4A TRIAC

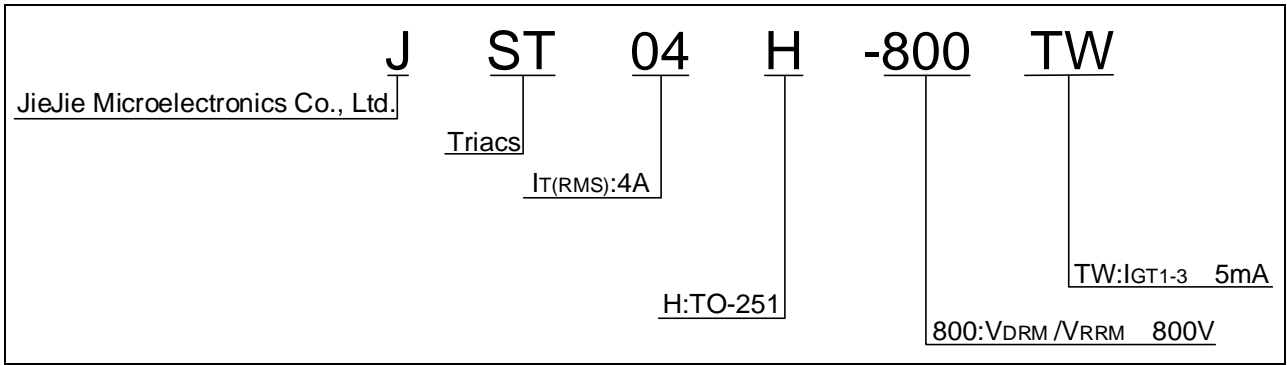
Rev.A.1.1

## DESCRIPTION:

The JST04H-800TW triac is suitable for general purpose AC switching. It can be used as an ON/OFF function in applications such as heating regulation, induction motor starting circuits, for phase control operation in light dimmers, motor speed controllers. JST04H-800TW snubberless triac is especially recommended for use on inductive loads. It can be driven directly through the MCU I/O port. From T2 terminals to external heatsink.  
Package TO-251 is RoHS sect1 153 0



ORDERING INFORMATION



MARKING

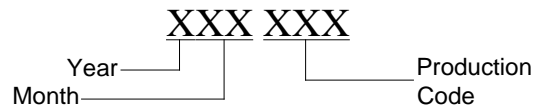
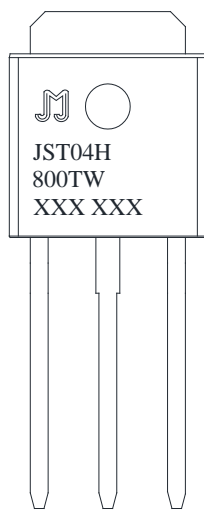


FIG.1: Maximum power dissipation versus RMS on-state current

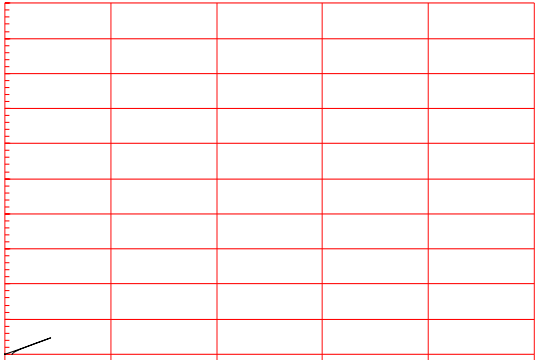
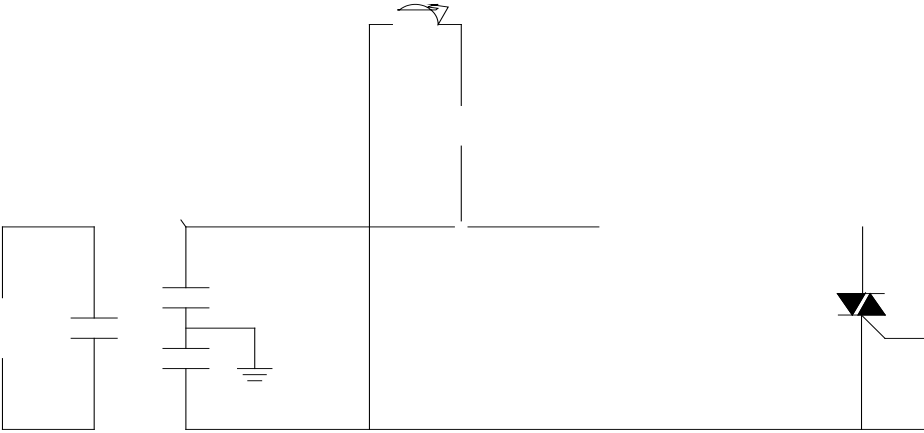


FIG.2: RMS on-state current versus case temperature

FIG.7 Test circuit for inductive and resistive loads to IEC-61000-4-5 standards



ORDERING INFORMATION

Order code	Voltage $V_{DRM}/V_{RRM}$ (V)	IGT(mA)	Package	Base qty. (pcs)	Deliver11 Tw 1806.9(
------------	----------------------------------	---------	---------	--------------------	----------------------



