

| | | | |
|--|----------|---|----|
| Peak pulse voltage ($T_j=25$; non-repetitive, off-state; FIG.7) | V_{pp} | 2 | kV |
|--|----------|---|----|

ELECTRICAL CHARACTERISTICS ($T_j=25$ unless otherwise specified)

| Symbol | Test Condition | Quadrant |
|---------------|-----------------------|-----------------|
|---------------|-----------------------|-----------------|

JST08C-600CW

JieJie Microelectronics Co., Ltd.

FIG.1: Maximum power dissipation versus RMS on-state current

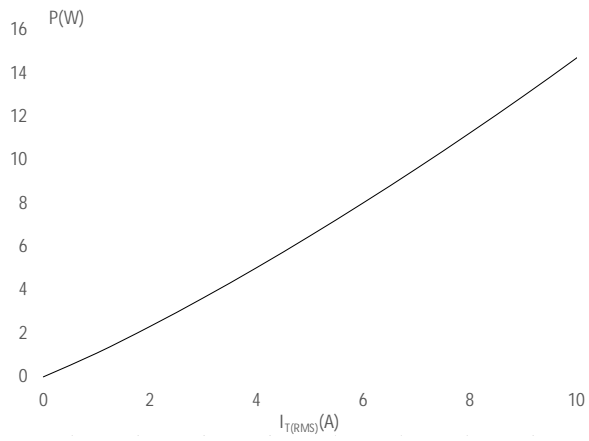


FIG.3: Surge peak on-state current versus number of cycles



FIG.2: RMS on-state current versus case temperature

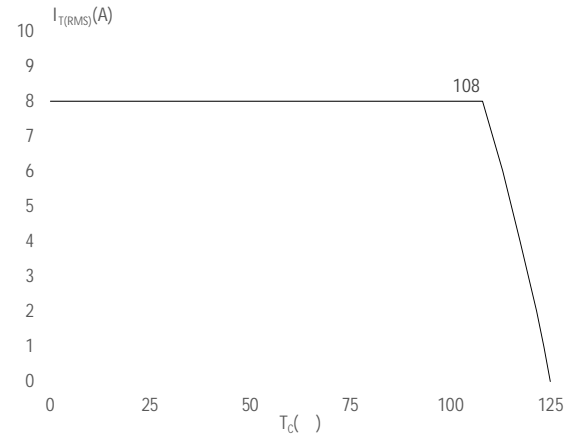
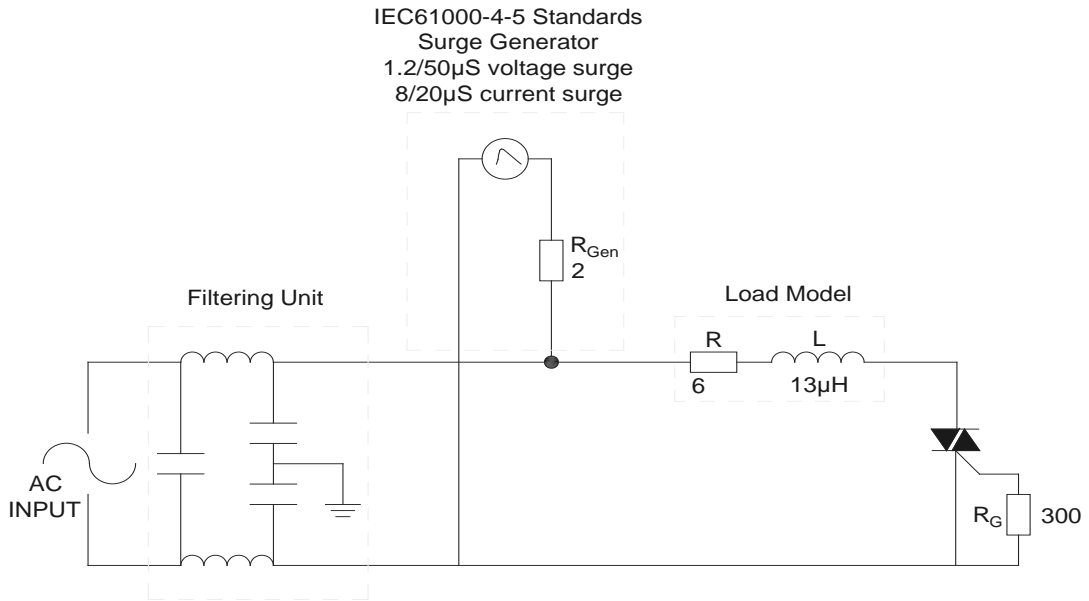


FIG.4: On-state characteristics

FIG.7 Test circuit for inductive and resistive loads to IEC-61000-4-5 standards



ORDERING INFORMATION

| Order code | Voltage V_{DRM}/V_{RRM} (V) | IGT(mA) | Package | Base qty. (pcs) | Delivery mode |
|---------------------|----------------------------------|-----------|----------------|--------------------|------------------|
| | | - - | | | |
| JST08C-600CW | 600 | 35 | TO-220C | 50 | Tube |

Document Revision History

| Date | Revision | Changes |
|--------------|----------|--------------------------------|
| Apr.11, 2023 | A.1.0 | Last updated |
| Oct.15, 2025 | A.1.1 | Revise PACKAGE MECHANICAL DATA |

PACKAGE MECHANICAL DATA



Information furnished in this document is believed to be accurate and reliable. However, Jiangsu JieJie Microelectronics Co., Ltd. assumes no responsibility for the consequences of use without consideration for such information nor use beyond it. Information mentioned in this document is subject to change without notice, apart from that when an agreement is signed, Jiangsu JieJie complies with the agreement.

Products and information provided in this document have no infringement of patents. Jiangsu JieJie assumes no responsibility for any infringement of other rights of third parties which may result from the use of such products and information. This document supersedes and replaces all information previously supplied.

is a regist (al)e6 Td [1 0 (8ma6 (ng)10 (e)103ap)10 (or)ks of12 ()]TJc 0.013 TD [(J)4 (i)6 (