

-67 + & \$ 75, \$&

5HY \$

^ Z/Wd/KEW

7KH -67 + & WUWDEQLV IRXL JHQHUDO SXUSR VH  
\$& VZLWFKLQJ ,W FDQ EH XVHG DV DQ 21 2)) IXQFWLRQ LQ  
DSSOLFDWLRQV VXHFJKDOWKHPDQLQJGXFWLRQ PRWRU  
VWDUWLQJ FLUFQWWRORRSHKUDWLRQ LQ OLJKW  
GLPPHUV PRWRURSOHHGVFRQMP 7 WHUPLQDOV  
WR H[WHUQDO KHDVVLQW SDFOFRHSOLDQW

D /E & dhZ ^

^K>hd D y/DhD Z d/E'^

3DUDPHWHU	6\PERO	9DOXH	8QLV
6WRUDJH MX70\$DZQ4W%0D* DŽ5,T2& „Hi8%C“ DŽó,TC“ DŽó,T!đ DŽó,TXAa 30			

-67 + &

-LH-LH 0LFURHOHFWURQL

> dZ/ > , Z d Z ~~M~~ d/ XQOHVV RWKHUZLVH VSHFLILHG

6\PERO	7HVW &R	QGLWLRQ	4XDGUDQW	9DOXH
,*7	9 9 5		0\$;	P\$
9*7		\$//	0\$;	9
9*	9 9 <sup>50</sup> 7 <sub>M</sub> 5/ N	\$//	0,1	9

,3PD  
0\$;

x

ñ



- 6 7 + &

- LH-LH 0LFURHOHFWURQL

), \* 0D[LPXP SRZHU GLVVLSDWLRQ YHUVXU 506 500 VWDWH FXUUHQW YH  
RQ VWDWH FXUUHQW WHPSHUDWXUH

iò W-t\*

iò

íí

íí

ò

ò

ò

í

í

í

í  
/d-z0\*

ò

ò

ò

í

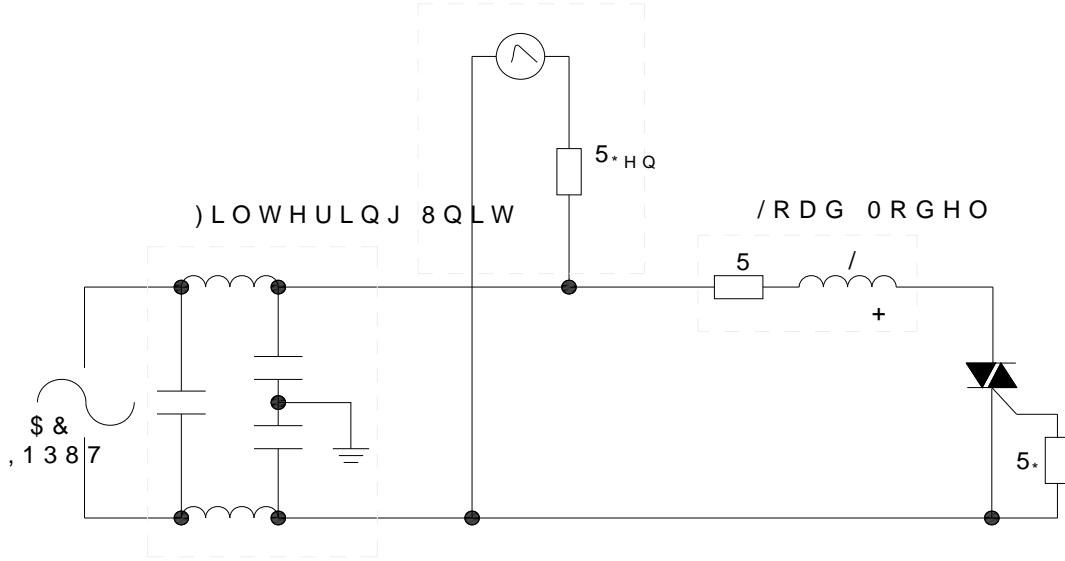
í

), \* 6XUJH SHDN RQ VWDWH FXUUHQW YHUVXV  
QXPEHU RI F\FOHV

|

), \* Ö7HVW FLUFXLW IRU LQGXFWLYH DQG UMDQGDUGV OR

, (& 6WDQGDUGV  
6XUJH \*HQHUDWRU  
6 YROWDJH VXUJH  
6 FXUUHQW VXUJH



> &KZD/E' E ^K> Z/E'

5HIHU WR WKH DSSOLFDWLRQ QRWH 3\$RUMPLED \7 KQVRWUJK FKRLORHQ 3 DIRNUD JH  
-LH-DH} œ} o šœ}v] •

-67 + &

-LH-LH 0LFURHOHFWURQL

KZ Z/E' /E&KZD d/KE

2UGHU FR	9ROWDJ 9.50 9.50 9	,*7 P\$		3DFNDJ	%DVH SFV	'HOLYHU\ PRGH
		H I J	K			
-67 + &				72		7XEH

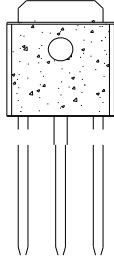
'RFXPHQW 5HYLVLRQ +LVWRU\

'DWH	5HYLVLRQ	&KDQJHV
\$SU	\$	/DVW XSGDWHG
2FW	\$	5HYLVH 3\$&.\$*( 0(&+\$1,&\$/ '\$7\$

-67 + &

-LH-LH 0LFURHOHFWURQL

W < ' D , E/ > d



,QIRUPDWLRQ IXUQXPHQW LQ WKOLHGRHG WR EH DFFXUDWH D  
 -LDQJVV -LH-LH 0LFURHOHFWURQLFV & W\ I/RUGWDMV XRIQW HQRX  
 XVH ZLWKRXW FRQFKGLQJ BWRBQURQ QRU XVH EHRQG LW ,  
 WKLV GRFXPHQWKDQVXZNLMKVR XWR QRKDLWHZ KDSD DQ DJRPHPH  
 VLJQH G -LDQJVS O-LHVLZILFRPWKH DJUHHPHQW  
 3URGXFWV DQG LQIRUPDWLRQ GRFXPHQW KDYH QR LQIULQJ  
 -LDQJVV -LH-LH DVVXPHLOQR\URVSRQWIRQKHQJWHJKWW RRI WH  
 SDUWLHV ZKLFK PDN XVVXROIW XFRPSWB BFWRQD QK ILQ GRFXPH  
 VXSHUVHGHV DQG UHSODFHV DOO LQIRUPDWLRQ SUHYLRXV  
 LV D UHJLVWHUHGDWJDXGLHDUN RUF-URHWHFWURQLFV &  
 &RS\ULJKW < -LDQJVRHHEMURQUEYK&RV U/HGHUSYHG