

JST130W-800D 0.8A TRIAC

Rev.A.1.1

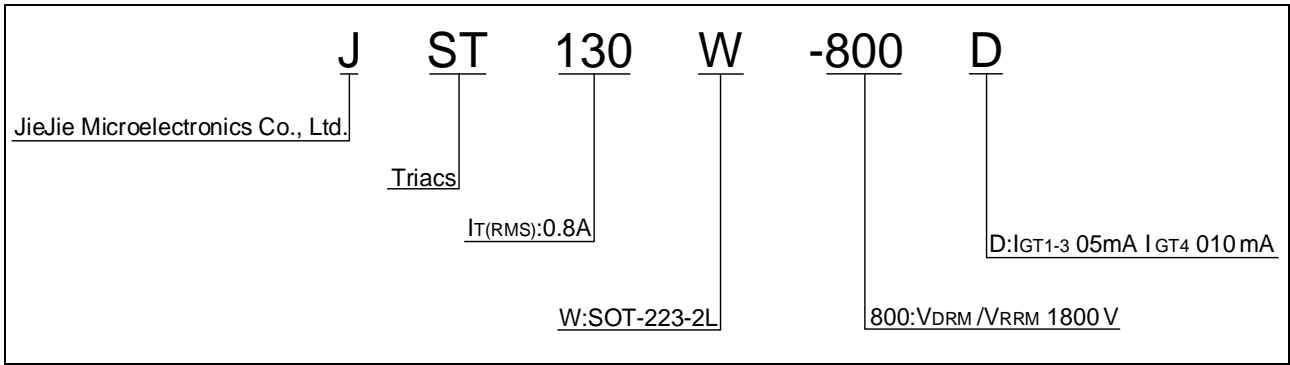
DESCRIPTION:

The JST130W-800D triac is suitable for general purpose AC switching. It can be used as an ON/OFF function in applications such as heating regulation, induction

ELECTRICAL CHARACTERISTICS (unless otherwise specified)

Symbol	Test Condition	Quadrant	Value	Unit
--------	----------------	----------	-------	------

ORDERING INFORMATION



MARKING

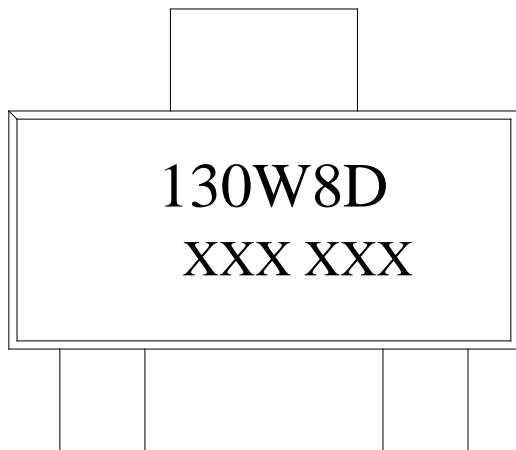


FIG.1: Maximum power dissipation versus RMS on-state current

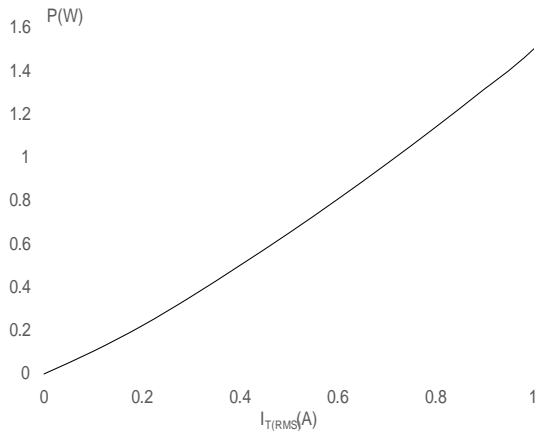


FIG.2: RMS on-state current versus case temperature

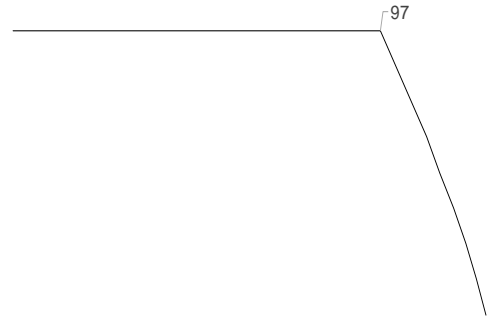


FIG.7: Relative variations of gate trigger current, holding current and latching current versus junction temperature

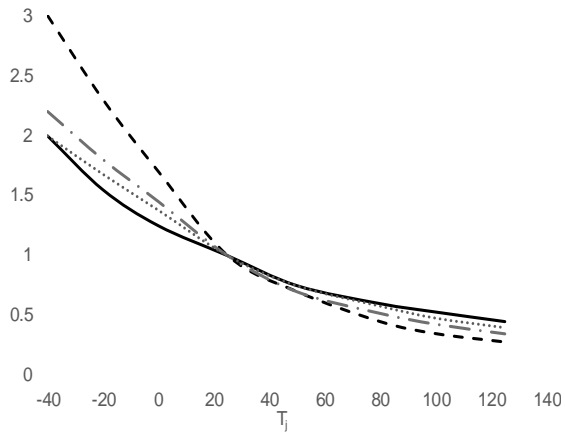
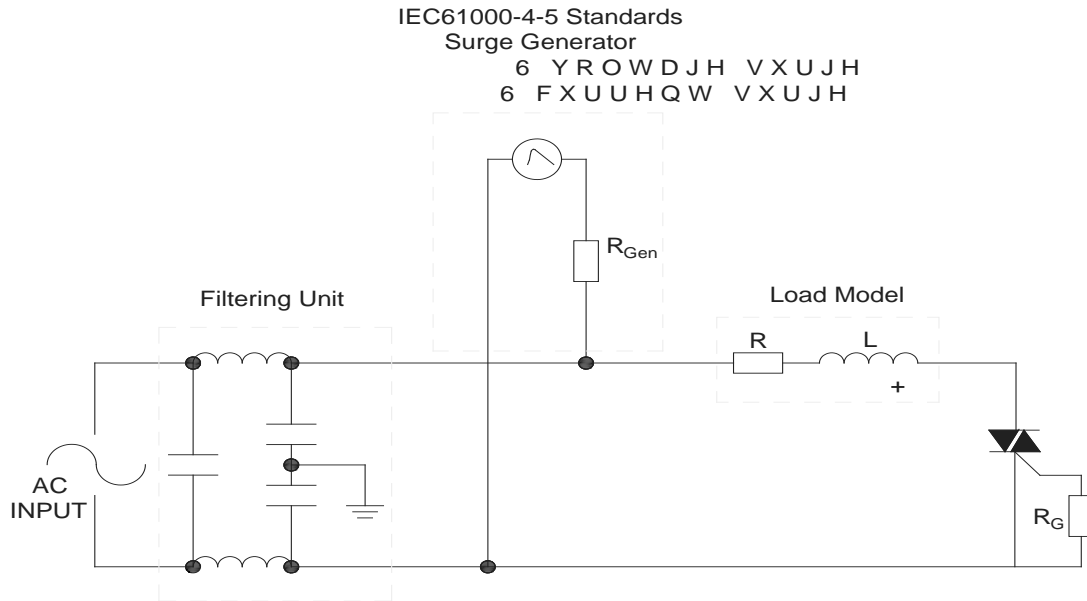
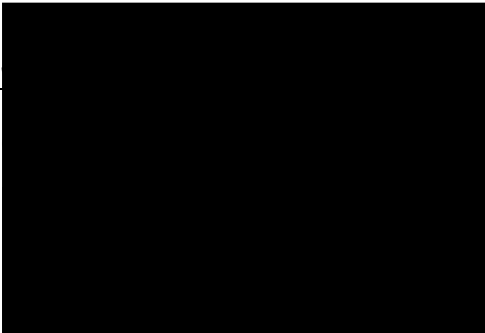
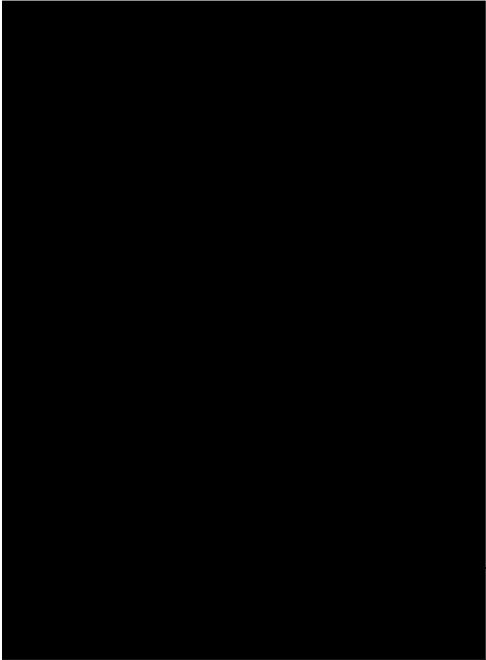


FIG.8 ÖTest circuit for inductive and resistive loads to IEC-61000-4-5 standards

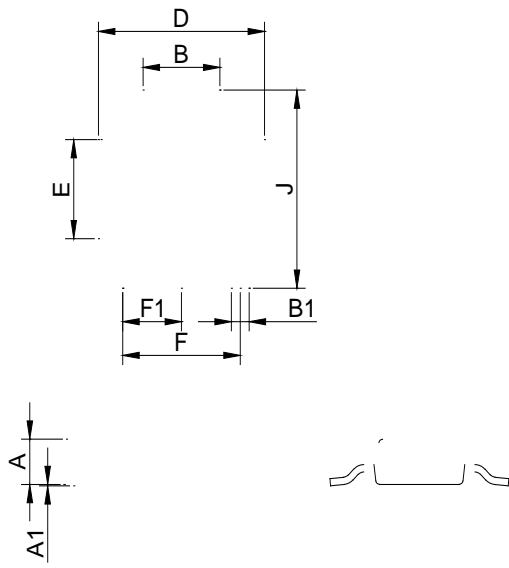




IGT(mA)	Package	Base qty. (pcs)	



PACKAGE MECHANICAL DATA



DELIVERY MODE

Ref.	Dimensions Millimeters
------	---------------------------

