

JST136V-800T 1A TRIAC

Rev.A.1.1

## DESCRIPTION:

The JST136V-800T triac is suitable for general purpose AC switching. It can be used as an ON/OFF function in applications such as heating regulation, induction motor starting circuits, for phase control operation in light dimmers, motor speed controllers. Package SOT-223 is RoHS compliant.

## MAIN FEATURES

## ELECTRICAL CHARACTERISTICS (unless otherwise specified)

Symbol	Test Condition	Quadrant	Value		Unit
$I_{GT}$	$V_D=12V$ $R_L=33$	ALL	MAX.	5	mA
$V_{GT}$		ALL	MAX.	1.3	V
$V_{GD}$	$V_D=V_{DRM}$ $T_j=125$ $R_L=3.3k$	ALL	MIN.	0.2	V
$I_L$	$I_G=1.2I_{GT}$	-	MAX.	10	mA
		-		15	
$I_H$	$I_T=100mA$		MAX.	5	mA
dV/dt	$V_D=540V$ Gate Open $T_j=110$		MIN.	20	V s
(dV/dt) <sub>c</sub>	(dI/dt) <sub>c</sub> =1.8A/ms, $T_j=110$		MIN.	1	9 V
$t_{on}$	$I_G=10mA$ $I_A=200mA$ $I_R=20mA$ $T_j=25$		TYP.	1	s
$t_{off}$				12	

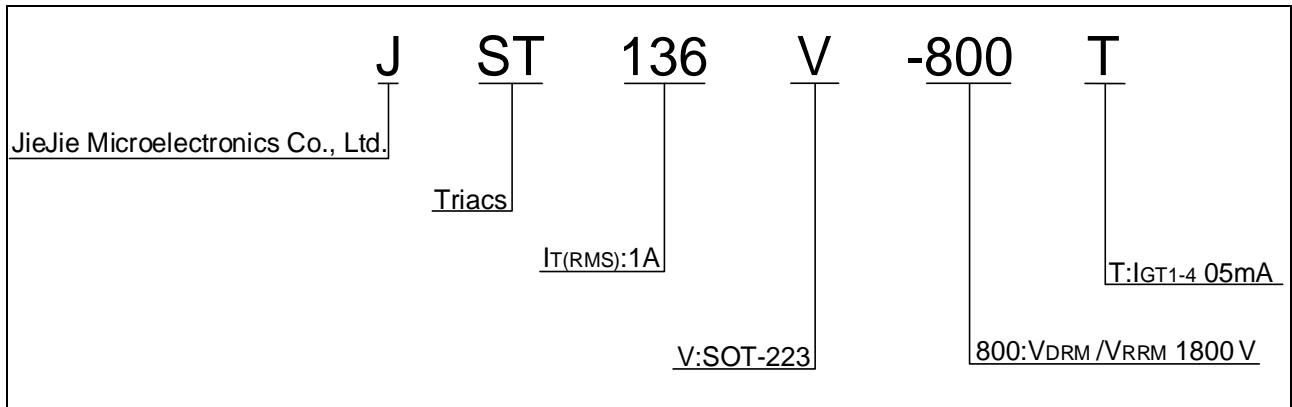
## STATIC CHARACTERISTICS

Symbol	Parameter		Value(MAX.)	Unit
$V_{TM}$	$I_{TM}=5A$ $t_p=380$ s	$T_j=25$	1.7	V
$V_{TO}$	Threshold voltage	$T_j=125$	0.94	V
$R_D$	Dynamic resistance	$T_j=125$	124	P
$I_{DRM}$	$V_D=V_{DRM}$ $V_R=V_{RRM}$	$T_j=25$	5	A
$I_{RRM}$		$T_j=125$	0.4	mA

## THERMAL RESISTANCES

Symbol	Parameter	Value	Unit
$R_{th(j-c)}$	junction to case (AC)	15	/W
$R_{th(j-a)}$	junction to ambient (AC)	150	/W

ORDERING INFORMATION



MARKING

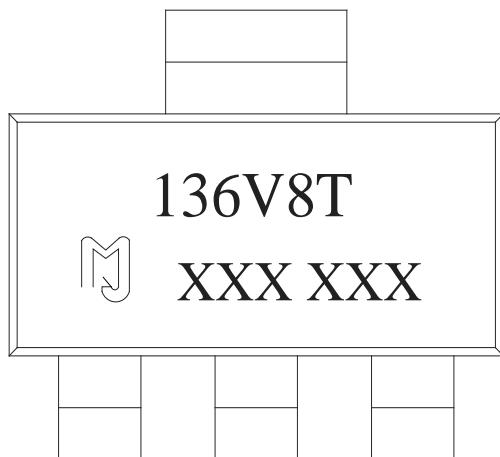


FIG.1: Maximum power dissipation versus RMS on-state current

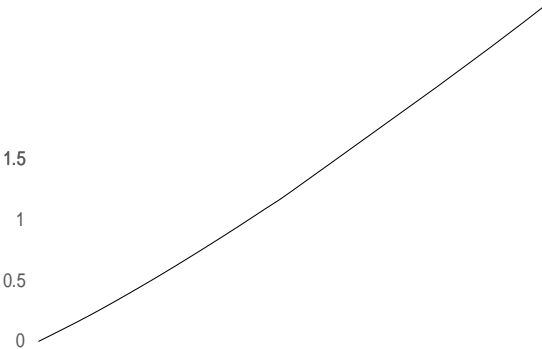
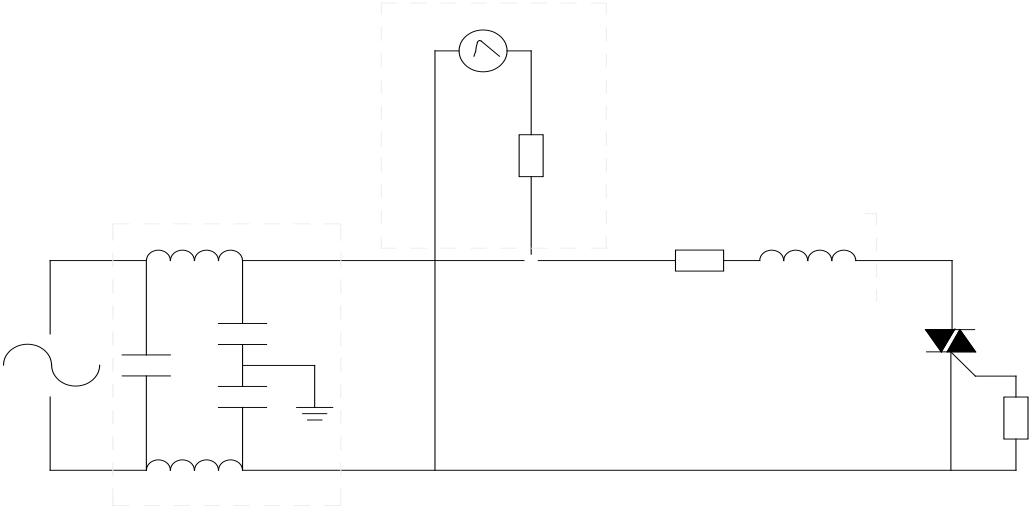


FIG.2: RMS on-state current versus case temperature

FIG.7: Relative variations of gate trigger current, holding current and latching current versus junction temperature

FIG.8 ÖTest circuit for inductive and resistive loads to IEC-61000-4-5 standards



ORDERING INFORMTON

Order coe	Voltage $V_{DRM}/V_{RRM}$ (V)	IGT(m ) - - -	Packag	Base qty. (p	Deliver mode
-----------	----------------------------------	------------------	--------	-----------------	-----------------

PACKAGE MECHANICAL DATA



Information furnished in this document is believed to be accurate and reliable. However, Jiangsu JieJie Microelectronics Co., Ltd. assumes no responsibility for the consequences of use without consideration for such information nor use beyond it. Information mentioned in this document is subject to change without notice, apart from that when an agreement is signed, Jiangsu JieJie complies with the agreement.

Products and information provided in this document have no infringement of patC1.3 T .4 (er)7 (,)2 ( )