

ELECTRICAL CHARACTERISTICS (unless otherwise specified)

Symbol	Test Condition	Quadrant	Value		Unit
I_{GT}	$V_D=12V$ $R_L=33$	- -	MAX.	10	mA
				25	
V_{GT}		ALL	MAX.	1	V
V_{GD}	$V_D=V_{DRM}$ $T_j=125$ $R_L=3.3k$	ALL	MIN.	0.2	V
I_L	$I_G=1.2I_{GT}$	- -	MAX.	20	mA
				35	
I_H	$I_T=500mA$		MAX.	20	mA
dV/dt	$V_D=540V$ Gate Open $T_j=125$		MIN.	200	V s
$(dV/dt)_c$	$(dI/dt)_c=2.7A/ms$, $T_j=125$		MIN.	5	9 V
t_{on}	$I_G=40mA$ $I_A=200mA$ $I_R=20mA$ $T_j=25$		TYP.	1.5	s
t_{off}				15	

STATIC CHARACTERISTICS

Symbol	Parameter		Value(MAX.)	Unit
V_{TM}	$I_{TM}=10A$ $t_p=380$ s	$T_j=25$	1.5	V
V_{TO}	Threshold voltage	$T_j=125$	0.8	V
R_D	Dynamic resistance	$T_j=125$	53	P
I_{DRM}	$V_D=V_{DRM}$ $V_R=V_{RRM}$	$T_j=25$	5	A
I_{RRM}		$T_j=125$	0.45	mA

THERMAL RESISTANCES

Symbol	Parameter	Value	Unit
$R_{th(j-c)}$	junction to case (AC)	2.2	/W
$R_{th(j-a)}$	junction to ambient (AC, in free air, $S=2cm^2$)	60	/W

ORDERING INFORMATION



FIG.7: Relative variations of gate trigger current, holding current and latching current versus junction temperature

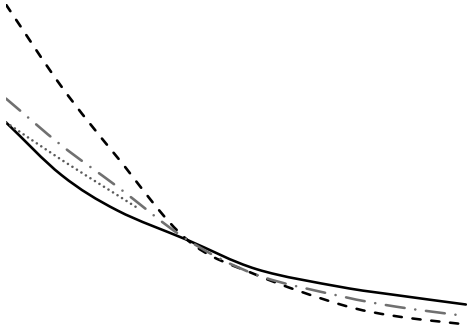
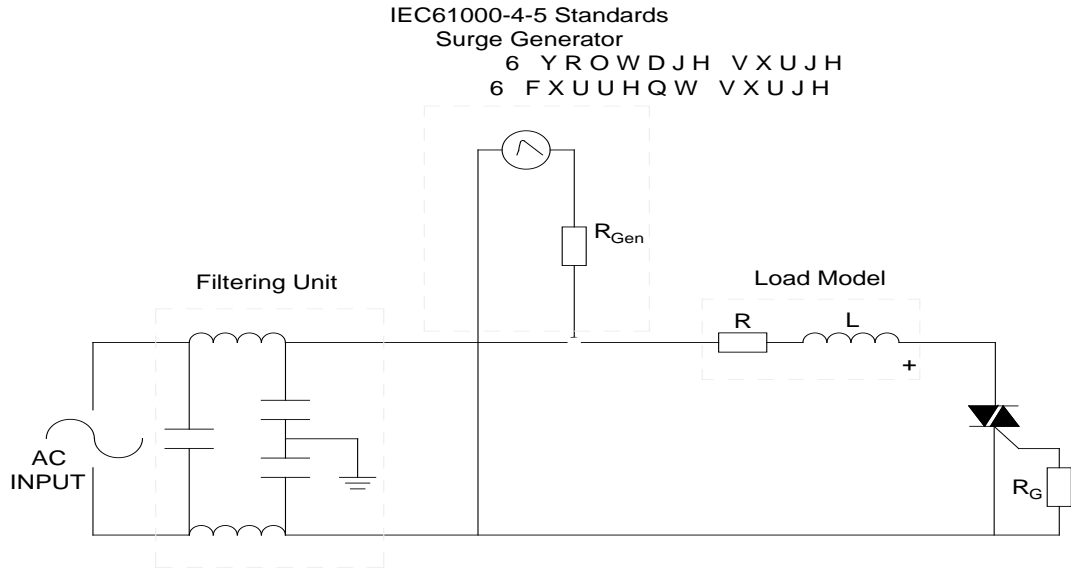


FIG.8: Test circuit for inductive and resistive loads to IEC-61000-4-5 standards

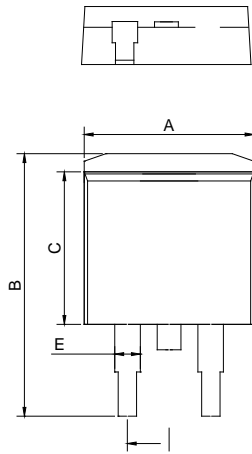


ORDERING INFORMATION

Order code	Voltage V_{DRM}/V_{RRM} (V)	IGT(mA)		Package	Base qty. (pcs)	Delivery mode
		-	-			
JST137E-800E	800	10	25	TO-263	50	Tube
JST137E-800E-TR					800	Tape & Reel

scnD>>27536 654.04 74.4 638* 1 Td.0427536 65416 074.4 638* 0292 49

PACKAGE MECHANICAL DATA



Ref.	Dimensions					
	Millimeters			Inches		
	Min.	Typ.	Max.	Min.	Typ.	Max.
A	9.90		10.20	0.390		0.402
B	14.70		15.80	0.579		0.622
C	9.40		9.60	0.370		0.378
D	2.40			0.094		
E	1.20		1.50	0.047		0.059
F	0.75		0.85	0.029		0.033

Information furnished in this document is believed to be accurate and reliable. However, Jiangsu JieJie Microelectronics Co., Ltd. assumes no responsibility for the consequences of use of this document. In this document, Jiangsu JieJie Microelectronics Co., Ltd. does not warrant, represent or guarantee the accuracy, reliability, completeness or suitability for any purpose of the information contained herein. Jiangsu JieJie Microelectronics Co., Ltd. shall not be liable for any damages, including but not limited to, direct, indirect, special, incidental or consequential damages, arising out of the use of the information contained herein. Jiangsu JieJie Microelectronics Co., Ltd. shall not be liable for any damages, including but not limited to, direct, indirect, special, incidental or consequential damages, arising out of the use of the information contained herein.