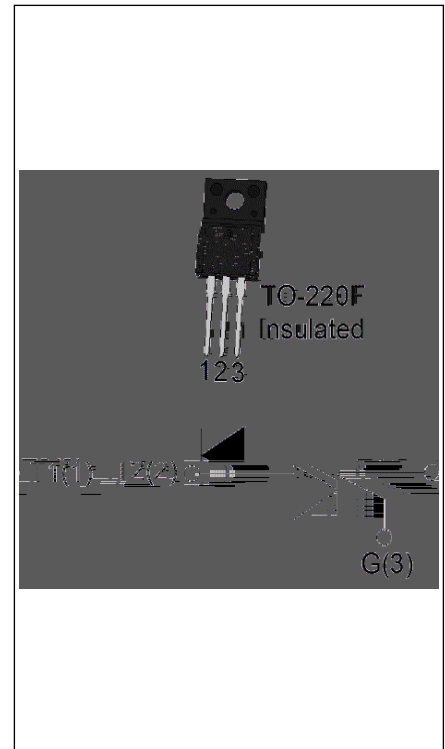




5 -o/kLtuL \ b



MAIN 7 EATy RES

A" S\ Ly TE MACEIMy MRATINGS

Parameter	Symbol	Value	Unit
0			
h			



--	--	--	--

Symbol	Test Condition	Quadrant	Value	Unit

Symbol	Parameter	Value(MAX.)	Unit

Symbol	Parameter	Value	Unit

Ö





\ R) ERING IN7 \ RMATI\ N

Order code	Voltage V _{DRM} /V _{RPM} (V)	IGT(mA)		Package	Base qty. (pcs)	Delivery mode
		-	-			
JST137F-600D	600	5	10	TO-220F(Ins)	50	Tube

Document Revision History

