



($T_j=25$ unless otherwise specified)

I_{GT}	$V_D=12V R_L=33$	- -	MAX.	25	mA
				70	
V_{GT}		ALL	MAX.	1	V
V_{GD}	$V_D=V_{DRM} T_j=125$ $R_L=3.3k$	ALL	MIN.	0.2	V
I_L	$I_G=1.2I_{GT}$	- -	MAX.	40	mA
				90	
I_H	$I_T=500mA$		MAX.	40	mA
dV/dt	$V_D=540V$ Gate Open $T_j=125$		MIN.	200	$V/\mu s$
$(dV/dt)_c$	$(dI/dt)_c=5A/ms, T_j=110$		MIN.	8	$V/\mu s$
t_{on}	$I_G=80mA I_A=400mA I_R=40mA$ $T_j=25$		TYP.	5	μs
t_{off}				30	

V_{TM}	$I_{TM}=15A t_p=380\mu s$	$T_j=25$		1.6	V
V_{TO}	Threshold voltage	$T_j=125$		0.8	V
R_D	Dynamic resistance	$T_j=125$		41	m
I_{DRM}	$V_D=V_{DRM} V_R=V_{RRM}$	$T_j=25$		5	μA
I_{RRM}		$T_j=125$		0.5	mA

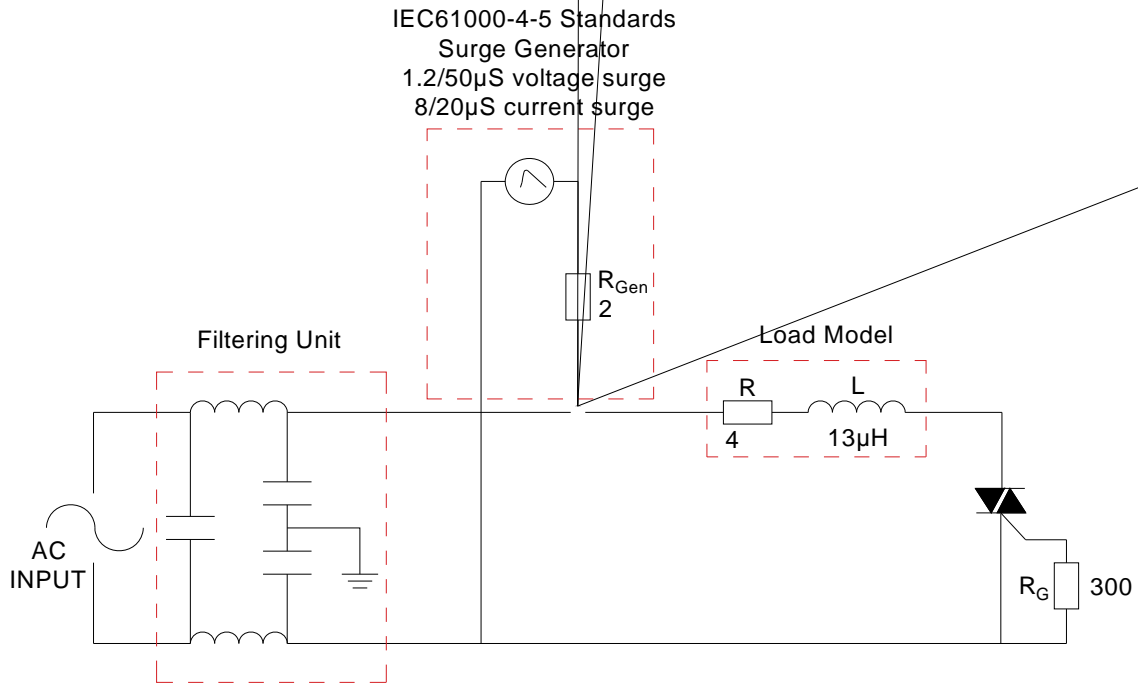
$R_{th(j-c)}$	junction to case (AC)		3	$/W$
$R_{th(j-a)}$	junction to ambient (AC)		100	$/W$

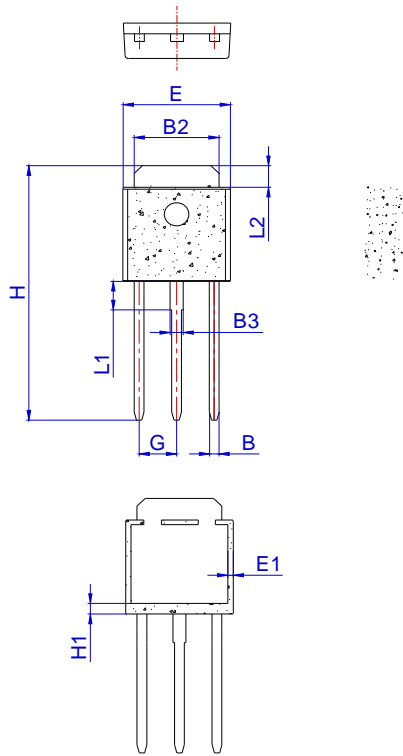


J ST 138 H -800 F



FIG.7 Test circuit for inductive and resistive loads to IEC-61000-4-5 standards






Ref.	Dimensions					
	Millimeters			Inches		
	Min.	Typ.	Max.	Min.	Typ.	Max.
A	2.20		2.40	0.086		0.095
A2	1.00		1.30	0.039		0.051
B	0.50		0.70	0.020		0.028
B2	5.10		5.40	0.200		0.213
B3						
C						
C2						
D						
E						
E1	0.60		1.00	0.024		0.039
G						
H	16.00		17.00	0.630		0.669
H1	1.45		1.85	0.057		0.073
L1						



Information furnished in this document is believed to be accurate and reliable. However, Jiangsu JieJie Microelectronics Co., Ltd assumes no responsibility for the consequences of use without consideration for such information nor use beyond it. Information mentioned in this document is subject to change without notice, apart from that when an agreement is signed, Jiangsu JieJie complies with the agreement.

Products and information provided in this document have no infringement of patents. Jiangsu JieJie assumes no responsibility for any infringement of other rights of third parties which may result from the use of such products and information. This document supersedes and replaces all information previously supplied.

 is a registered trademark of Jiangsu JieJie Microelectronics Co., Ltd.
Copyright © 2025 Jiangsu JieJie Microelectronics Co., Ltd. All rights reserved.