



JST24C0

(T_j=25 unless otherwise specified)

Symbol	Test Condition	Quadrant	Value		Unit
I _{GT}	V _D =12V R _L =33	- -	MAX.	25	mA
				50	
V _{GT}		ALL	MAX.	1	V
V _{GD}	V _D =V _{DRM} T _j =125 R _L =3.3k	ALL	MIN.	0.2	V
I _L	I _G =1.2I _{GT}	- -	MAX.	70	mA
				100	
I _H	I _T =500mA		MAX.	60	mA
dV/dt	V _D =400V Gate Open T _j =125		MIN.	800	V s
(dV/dt) _c	(dI/dt) _c =13.3A/ms, T _j =125		MIN.	6	
t _{on}	I _G =80mA I _A =400mA I _R =40mA T _j =25		TYP.	3	s
t _{off}				50	

Symbol	Parameter		Value(MAX.)	Unit
V _{TM}	I _{TM} =35A t _p =380 s	T _j =25	1.5	V
V _{TO}	Threshold voltage	T _j =125	0.75	V
R _D	Dynamic resistance	T _j =125	18	
I _{DRM}	V _D =V _{DRM} V _R =V _{RDM}	T _j =25	5	A
I _{RDM}		T _j =125	1.5	mA

Symbol	Parameter	Value	Unit
R _{th(j-)}			

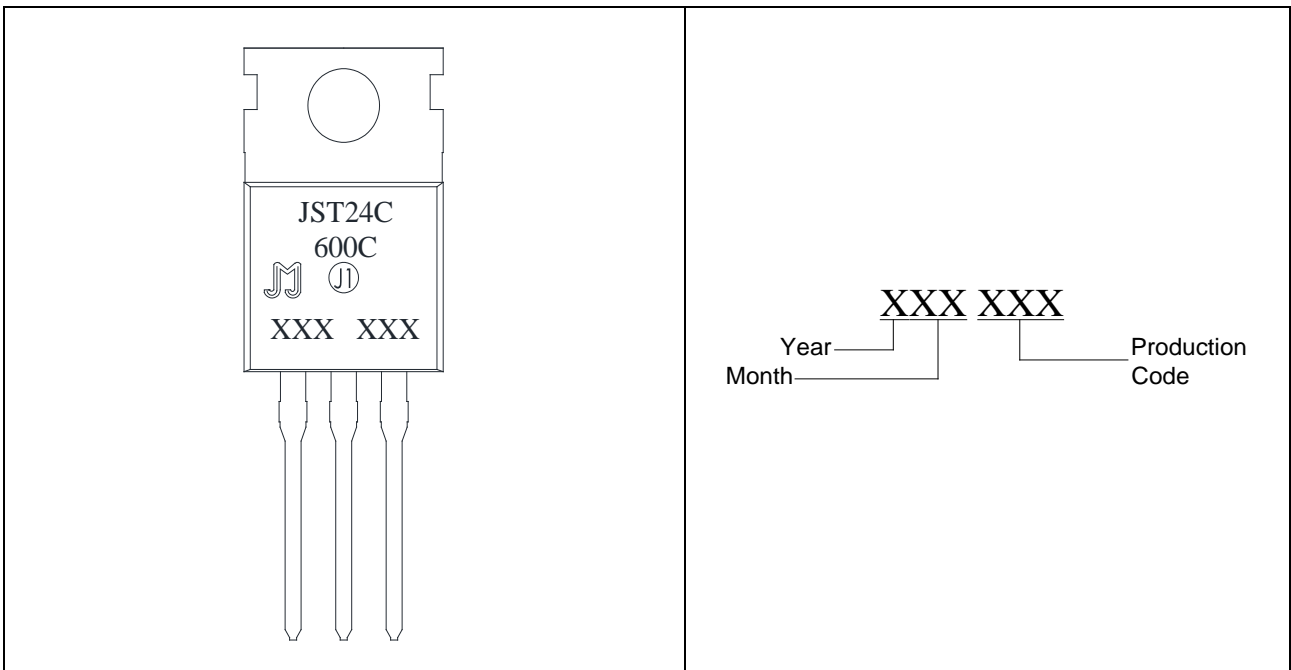
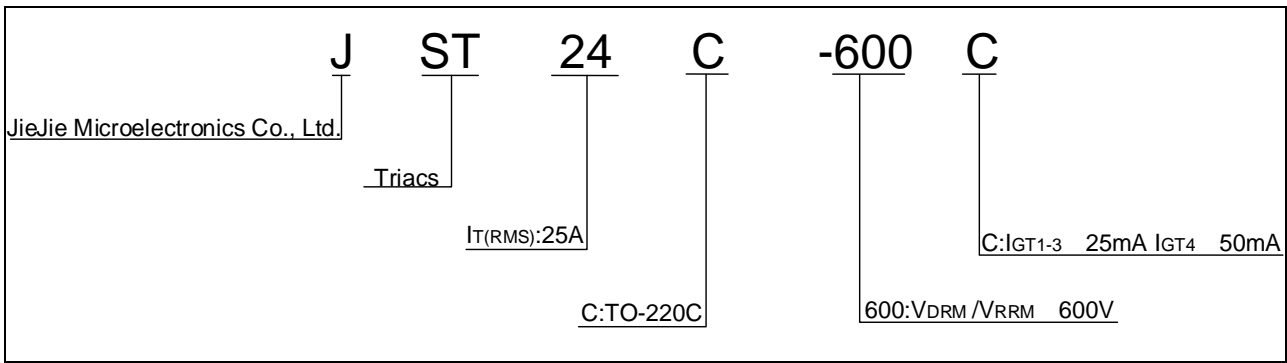


FIG.1: Maximum power dissipation versus RMS on-state current

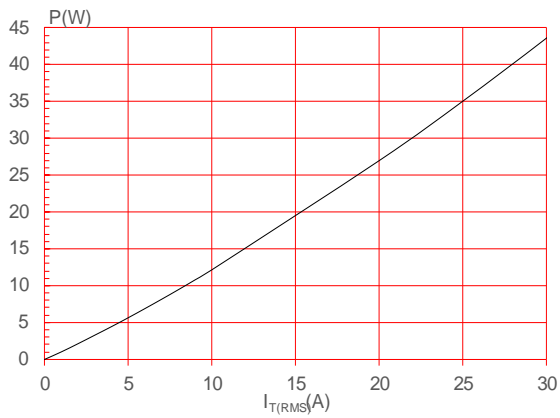


FIG.2: RMS on-state current versus case temperature

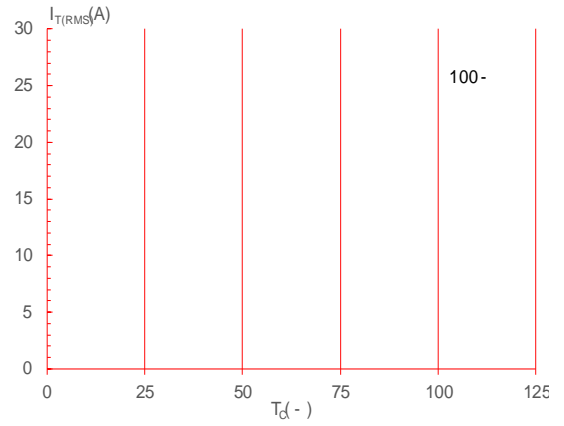


FIG.3: Surge peak on-state current versus number of cycles

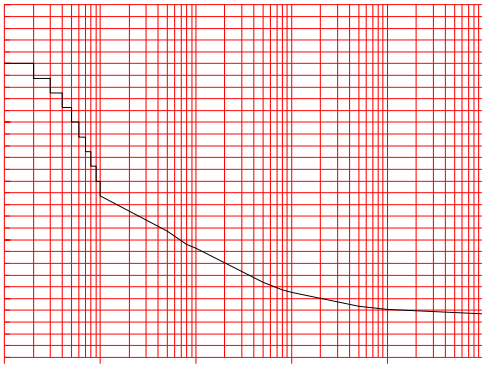


FIG.4: On-state characteristics

FIG.7 Test circuit for inductive and resistive loads to IEC-61000-4-5 standards



Order code	Voltage V_{DRM}/V_{RRM} (V)	IGT(mA)		Package	Base qty. (pcs)	Delivery mode
		-	-			

JST24C-600C

