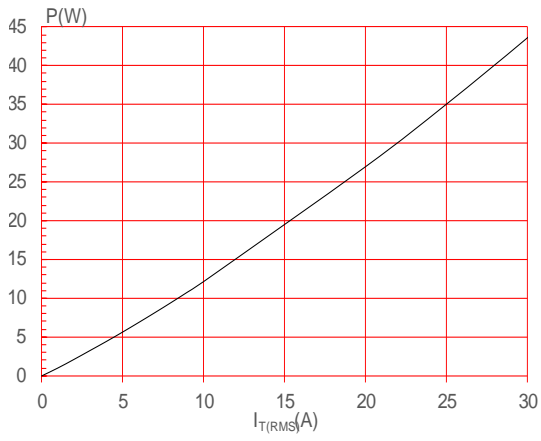




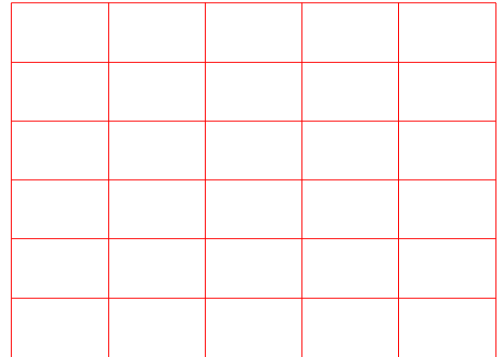




**FIG.1:** Maximum power dissipation versus RMS on-state current



**FIG.2:** RMS on-state current versus case temperature



**JST24E-800BW**

FIG.8: Test circuit for inductive and resistive loads to IEC-61000-4-5 standards

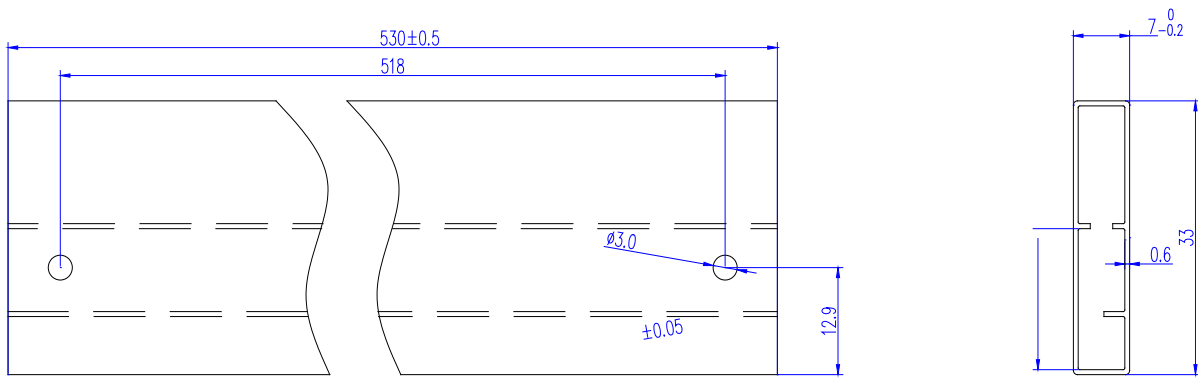




PACKAGE MECHANICAL DATA

Ref.	Dimensions				
	Millimeters			Inches	
	Min.	Typ.	Max.	Min.	Typ.

DELIVERY MODE



Information furnished in this document is believed to be accurate and reliable. However,  
Jiangsu JieJie